

EC Backward Centrifugal Fan with Metal Impeller

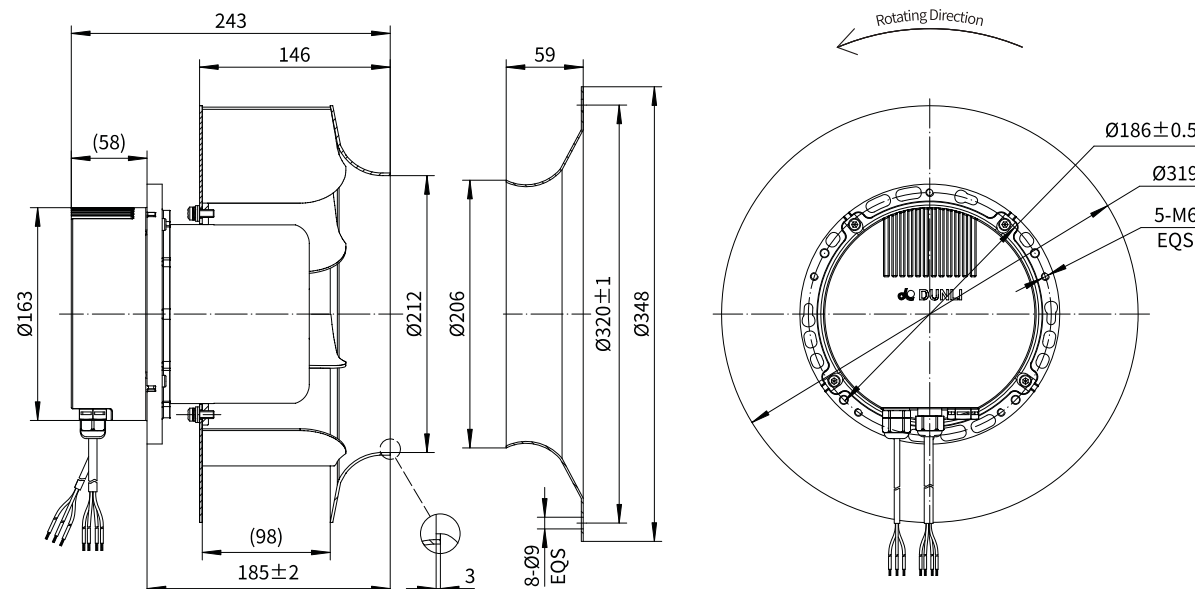
Erp2015  
EXCEEDS THE NORM



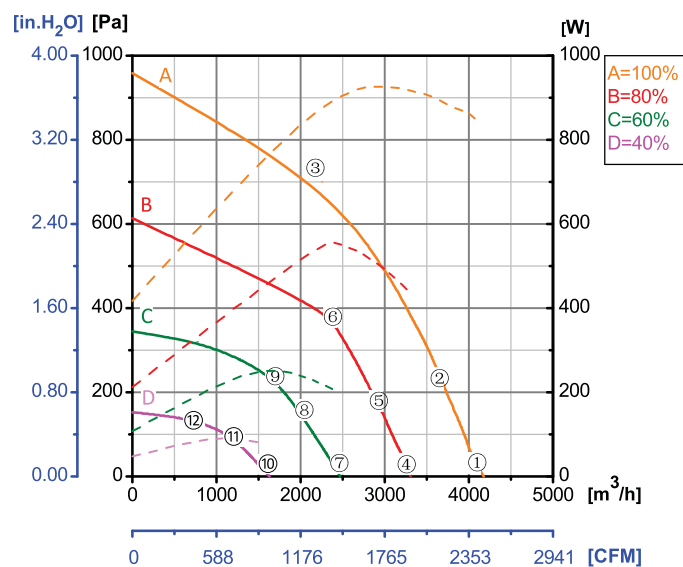
Φ 310 (3-phase)

Rotor Material: Carbon steel  
Impeller Material: Aluminum alloy sheet  
Ingress Protection: IP54  
Insulation Class: F  
Bearing Type: Maintenance free ball bearing

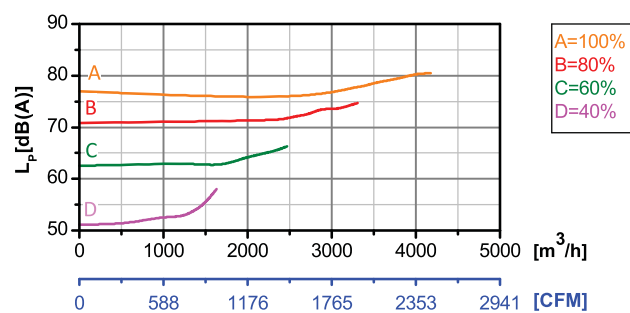
Motorized Backward Curved Impeller



Performance Curves

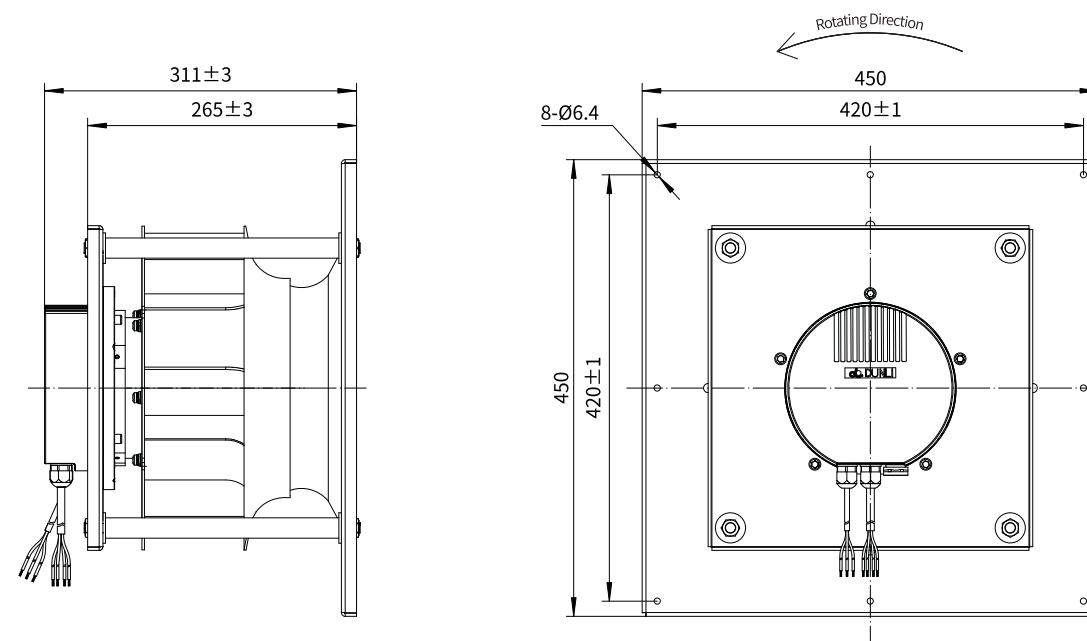


Test Point	Speed	Input Power
	rpm	W
1	2643	825
2	2584	885
3	2521	914
4	2113	430
5	2119	498
6	2116	555
7	1586	195
8	1587	243
9	1587	252
10	1064	75
11	1058	86
12	1057	89



Erp2015 Data:  
Efficiency η<sub>statA</sub>=52.2%  
Efficiency grade N<sub>actual</sub>=63.1, N<sub>target</sub>=62  
Test report No. : L-20210302-004-000

With Supporting Rack



Model No.	Voltage	Frequency	Speed	Input Power	Current	Working Temp.	Approvals
	VAC	Hz	RPM	W	A	Min/Max (°C)	
EC137-B310-001	3~380/400	50/60	2700	860	1.5	-20/+60	CCC,CE