

EC Backward Curved Centrifugal Fan with Aileron Impeller

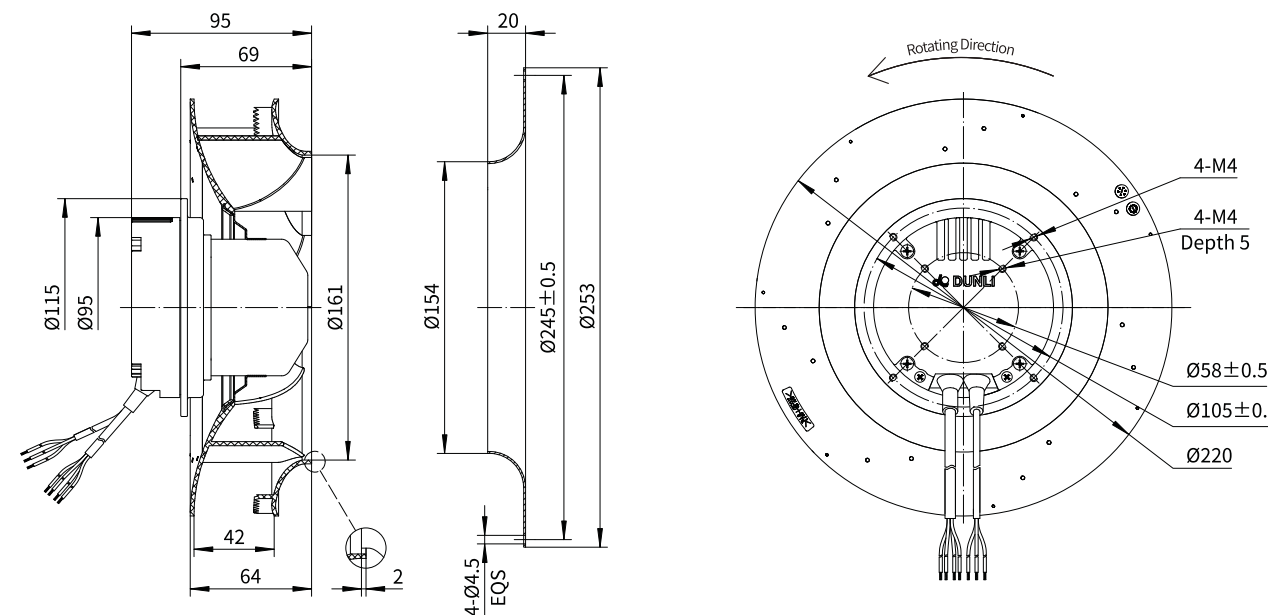
Erp2015
EXCEEDS THE NORM

Motorized Backward Curved Impeller

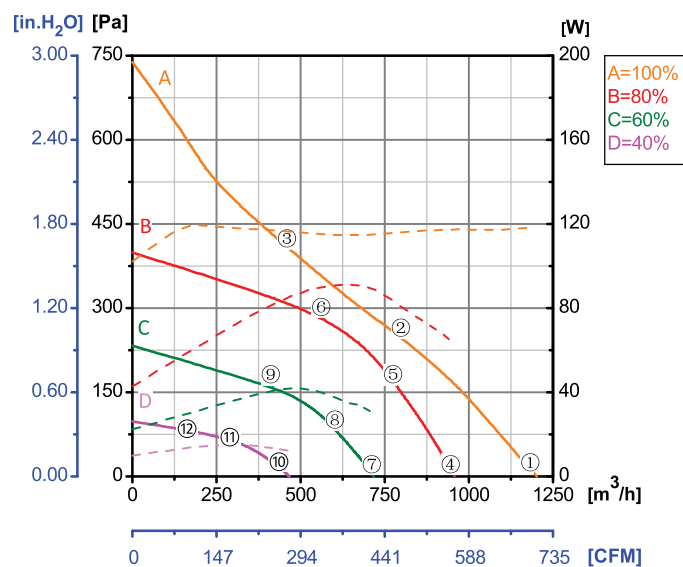


Φ 220-L

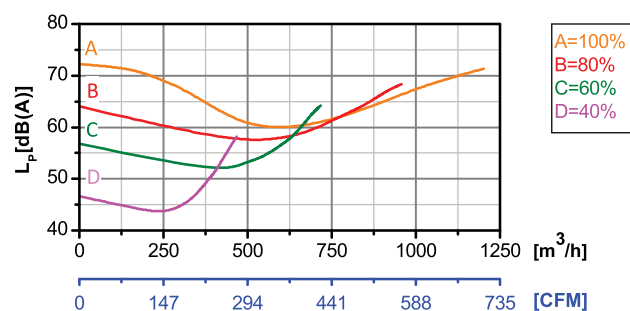
Rotor Material: Carbon steel
Impeller Material: Plastic
Ingress Protection: IP44
Insulation Class: F
Bearing Type: Maintenance free ball bearing



Performance Curves



Test Point	Speed	Input Power
	rpm	W
1	3212	118
2	2844	116
3	2864	117
4	2564	62
5	2573	82
6	2578	91
7	1935	30
8	1944	37
9	1946	41
10	1278	12
11	1279	14
12	1279	15



Erp2015 Data:
Efficiency η_{statA} = 57.2%
Efficiency grade N_{actual} = 77.6, N_{target} = 62
Test report No. : L-20210302-005-005

Model No.	Voltage	Frequency	Speed	Input Power	Current	Working Temp.	Approvals
	VAC	Hz	RPM	W	A	Min/Max (°C)	
EC72-B220-006	1~220/230	50/60	3200	115	0.96	-20/+60	CCC,CE