

EC Forward Curved Centrifugal Fan and Blower

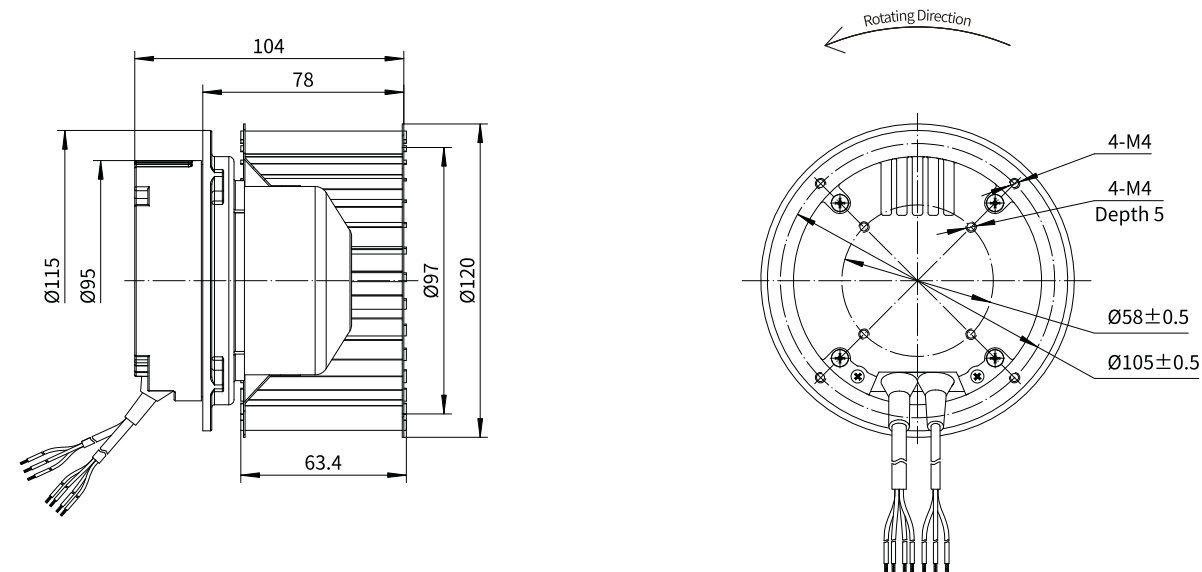
Erp2015
EXCEEDS THE NORM

Motorized Forward Curved Impeller

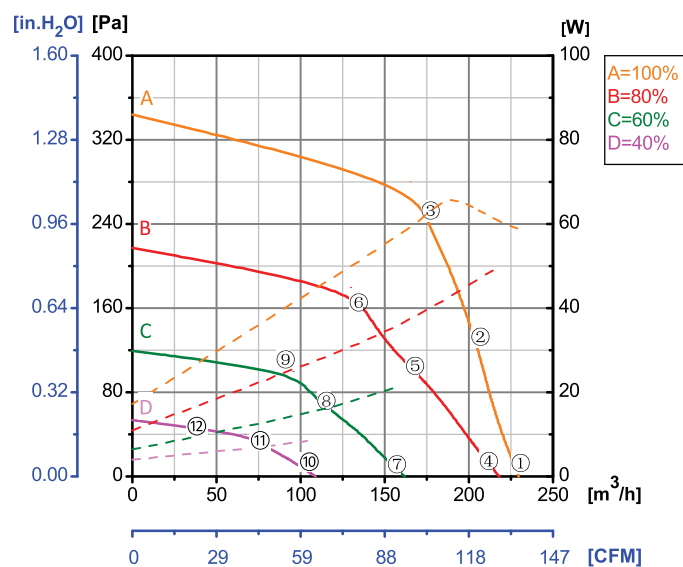


Φ 120

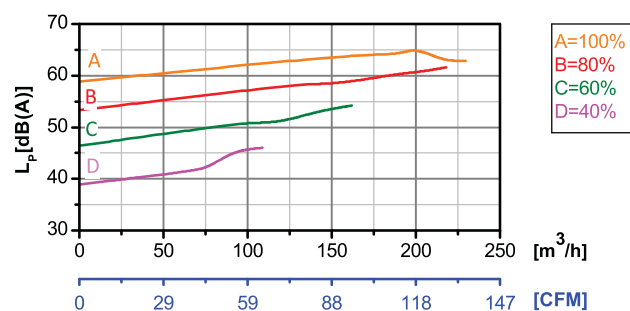
- Rotor Material: Carbon steel
- Housing Material: Carbon steel
- Impeller Material: Galvanized steel sheet
- Ingress Protection: IP44
- Insulation Class: F
- Bearing Type: Maintenance free ball bearing



Performance Curves

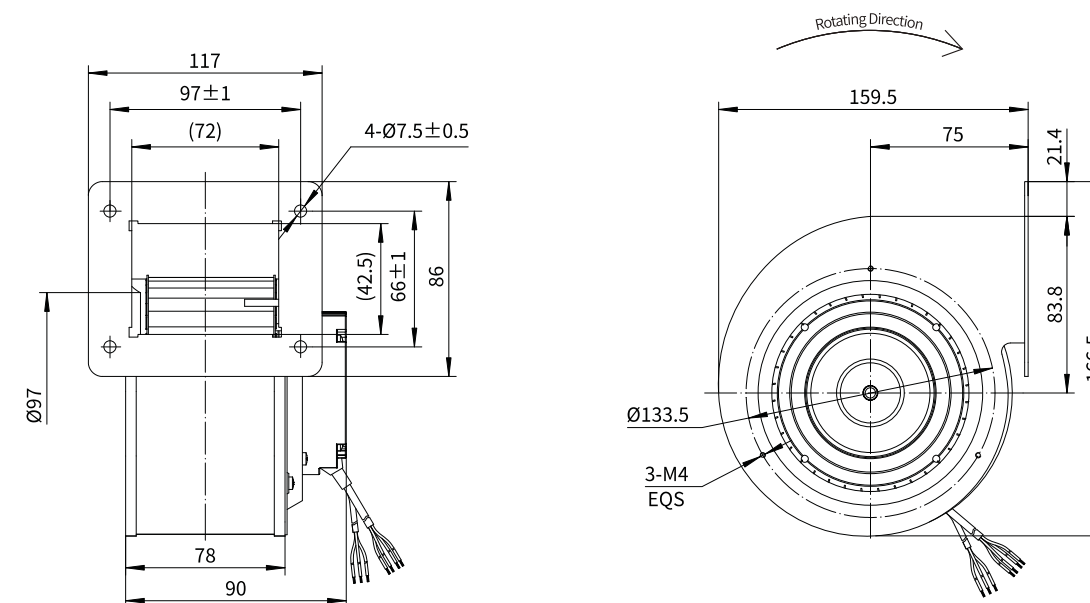


Test Point	Speed	Input Power
	rpm	W
1	2775	59
2	3064	63
3	3289	63
4	2631	50
5	2639	39
6	2634	33
7	1971	22
8	1971	17
9	1972	14
10	1343	8
11	1344	8
12	1336	7



Erp2015 Data:
Efficiency $\eta_{statA} = *% < 125W$
Efficiency grade $N_{actual} = *, N_{target} = 44$
Test report No. : L-20210302-003-011

Blower



Model No.	Voltage	Frequency	Speed	Input Power	Current	Working Temp.	Approvals
	VAC	Hz	RPM	W	A	Min/Max (°C)	
EC72-F120-001	1~220/230	50/60	2800	65	0.57	-20/+60	CCC,CE