



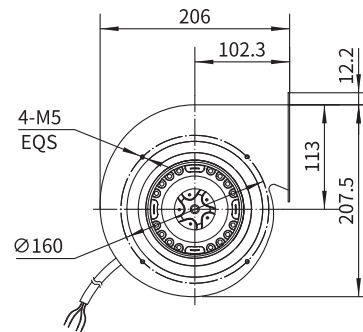
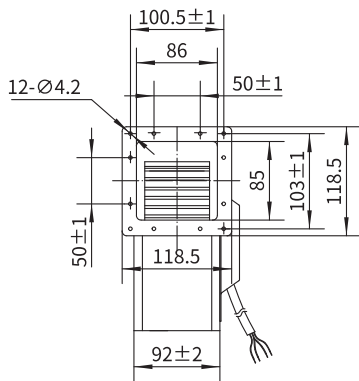
Forward Curved Blower



Φ 150

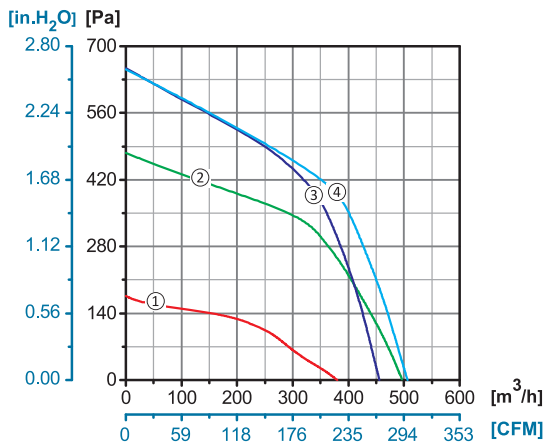
Rotor Material: Aluminum Die-casting
Impeller Material: Galvanized Steel Sheet
Ingress Protection: IP44
Insulation Class: F
Bearing Type: Maintenance Free Ball Bearing

Dimensional Drawings



Note: Revers direction is available

Performance Curves



Model No.	Voltage	Frequency	Current	Power	Speed	Capacitor	Air Flow (0 Pa)	Noise	Curve	Working Temp.	Approvals
	V	Hz	A	W	RPM	µF	[m³/h]/[CFM]	dB(A)	No.	Min/Max (°C)	
YWF.F2S-150-070AA2A	110/120	60	1.90	225	2400	20	500/288	72	④	-30/+60	
YWF.F4S-150-070AA2A	110/120	60	0.64	75	1650	8	380/220	65	①	-30/+60	
YWF.F2S-150-070AA20	220/230	50	0.72	157	2280	5	495/291	69	③	-30/+60	CCC, CE
	220/230	60	0.92	200	2150	5	455/267	67	②	-30/+60	CE

