



**Aluminum Die-casting Airfoil Blade Axial Fan**

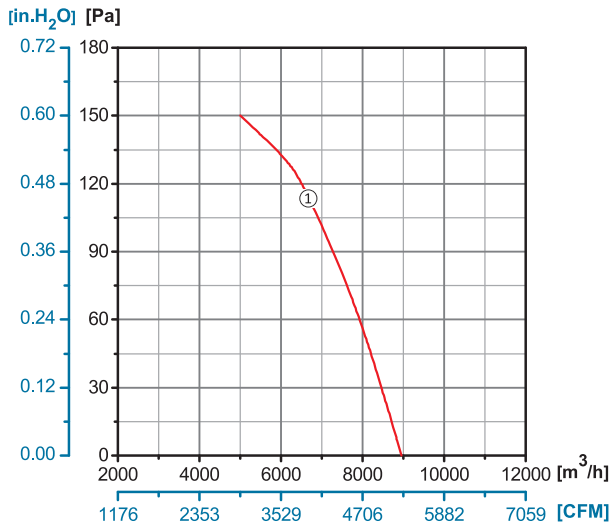
**ErP2015**  
EXCEEDS THE NORM



**Φ500**

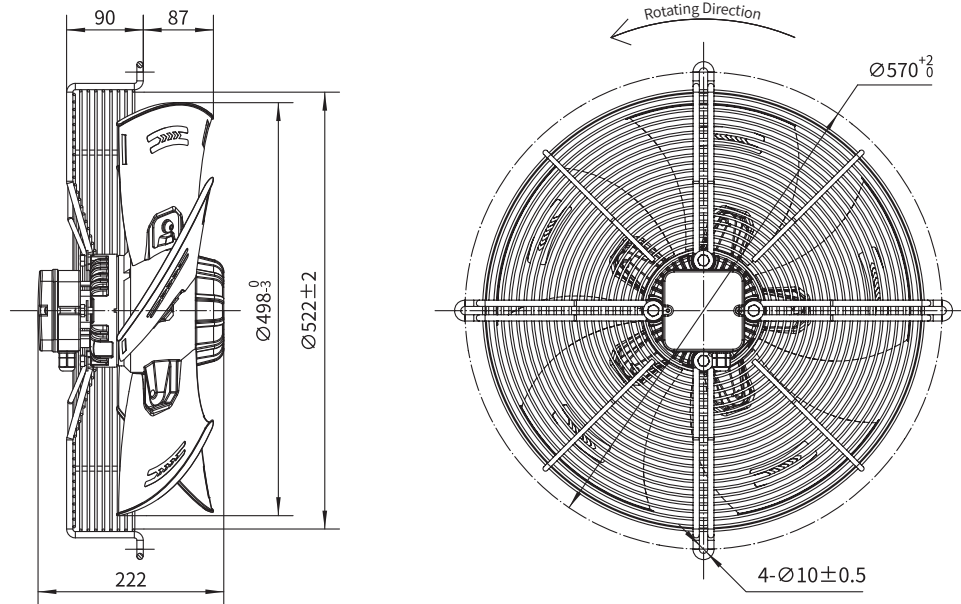
**Rotor Material:** Aluminum Die-casting  
**Impeller Material:** Aluminum Die-casting  
**Ingress Protection:** IP54  
**Insulation Class:** F  
**Bearing Type:** Maintenance Free Ball Bearing

**Performance Curves**

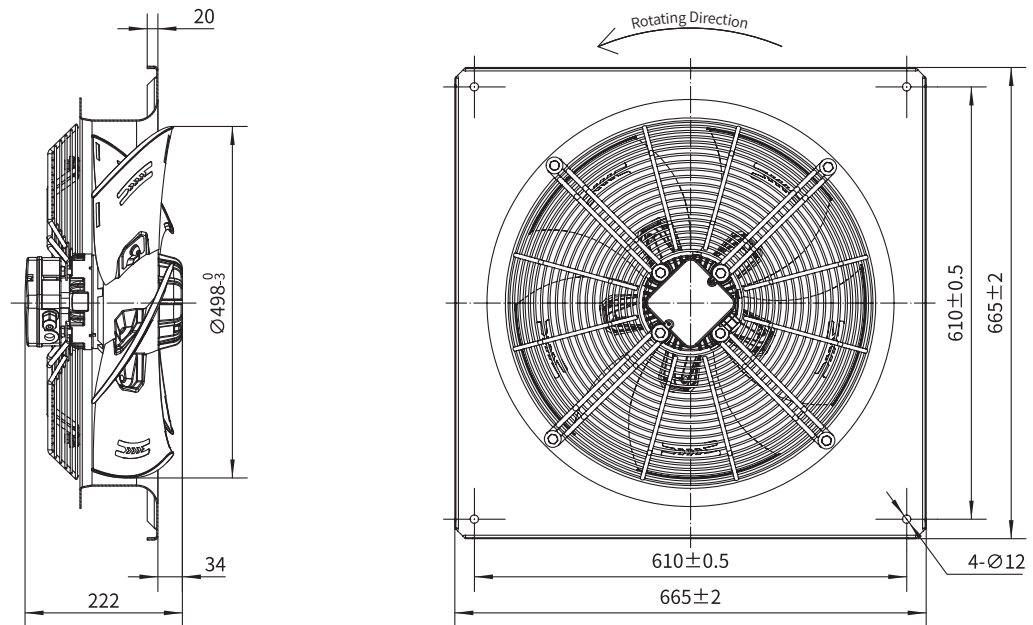


|        |        |                      |        |         |
|--------|--------|----------------------|--------|---------|
|        |        |                      |        |         |
| Type B | Type C | Type D               | Type E | Type F0 |
| /      | /      | YWFA4T-500S-5D   AZO | /      | /       |

## Type D



## Type F1



|                       | Voltage | Frequency | Current | Power | Speed | Capacitor     | Air Flow (0 Pa)                      | Noise | Curve | Working Temp.                 | Approvals |
|-----------------------|---------|-----------|---------|-------|-------|---------------|--------------------------------------|-------|-------|-------------------------------|-----------|
| Type F1               | V       | Hz        | A       | W     | RPM   | $\mu\text{F}$ | $[\text{m}^3/\text{h}]/[\text{CFM}]$ | dB(A) | No.   | Min/Max( $^{\circ}\text{C}$ ) |           |
| YWF.A4T-500S-5F   AZ0 | 380/400 | 50        | 1.43    | 650   | 1400  | /             | 8950/5265                            | 72    | ①     | -30/+60                       | CCC, CE   |