

EC Backward Centrifugal Fan with Metal Impeller

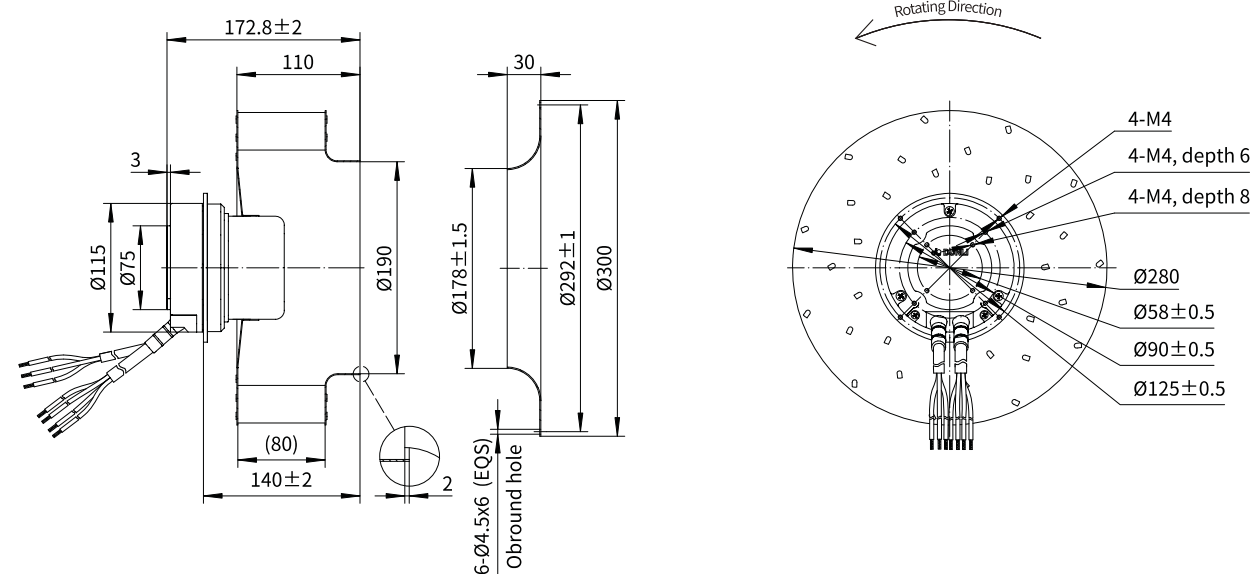
Erp2015
EXCEEDS THE NORM



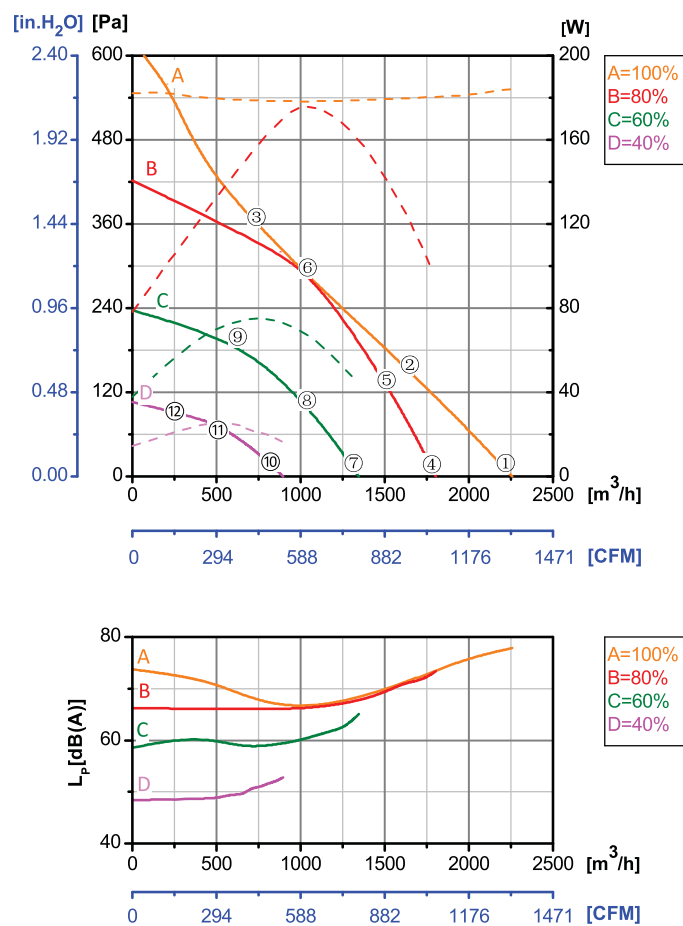
Φ 280-L

Rotor Material: Carbon steel
Impeller Material: Galvanized steel sheet
Ingress Protection: IP44
Insulation Class: F
Bearing Type: Maintenance free ball bearing

Motorized Backward Curved Impeller



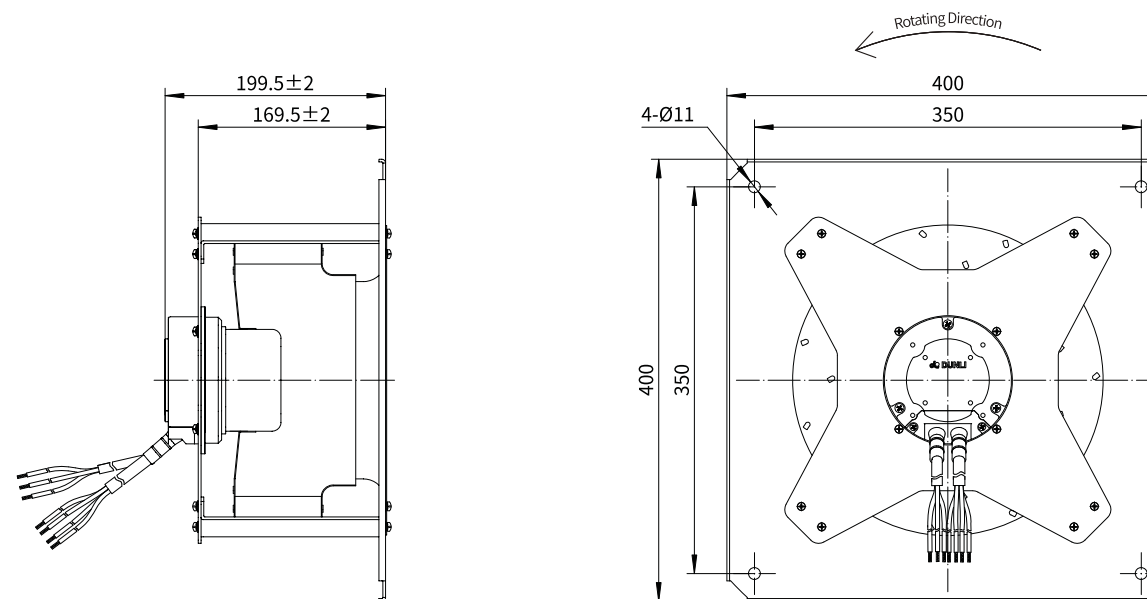
Performance Curves



Test Point	Speed	Input Power
	rpm	W
1	2619	184
2	2295	180
3	2127	179
4	2096	94
5	2099	139
6	2098	177
7	1571	44
8	1572	66
9	1571	75
10	1048	16
11	1048	21
12	1048	25

Erp2015 Data:
Efficiency η_{statA} =53.3%
Efficiency grade N_{actual} =71.6, N_{target} =62
Test report No. : L-20210302-005-025

With Supporting Rack



Model No.	Voltage	Frequency	Speed	Input Power	Current	Working Temp.	Approvals
	VAC	Hz	RPM	W	A	Min/Max (°C)	
EC92-B280-031	1~220/230	50/60	2500	180	1.40	-20/+60	CCC,CE