



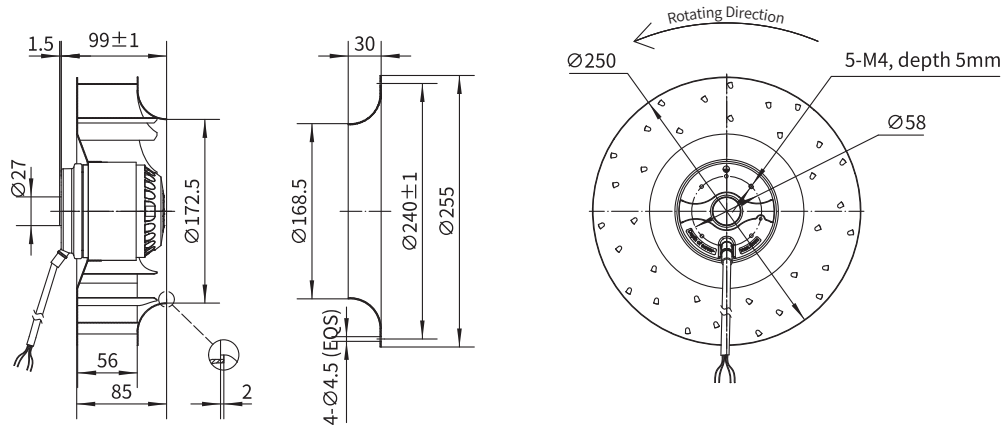
Backward Curved Centrifugal Fan with Conventional Metal Impeller



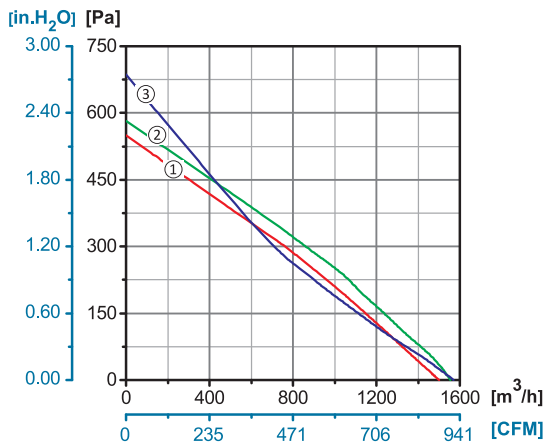
Φ 250

Rotor Material: Aluminum Die-casting
Impeller Material: Galvanized Steel Sheet
Ingress Protection: IP44
Insulation Class: F
Bearing Type: Maintenance Free Ball Bearing

Dimensional Drawings



Performance Curves



Model No.	Voltage	Frequency	Current	Power	Speed	Capacitor	Air Flow (0 Pa)	Noise	Curve	Working Temp.	Approvals
	V	Hz	A	W	RPM	µF	[m ³ /h]/[CFM]	dB(A)	No.	Min/Max (°C)	
YWF.B2S-250-085AB2A	110/120	60	1.5	170	2570	28	1500/882	78	①	-30/+60	
	110/120	60	2.1	230	2770	28	1580/929	80	③	-30/+60	
YWF.B2S-250-085AB20	220/230	50	0.71	175	2570	7	1550/912	78	②	-30/+60	CCC, CE

Conv. Metal B/C Centrifugal

