

EC High-efficiency Backward Curved Centrifugal Fan

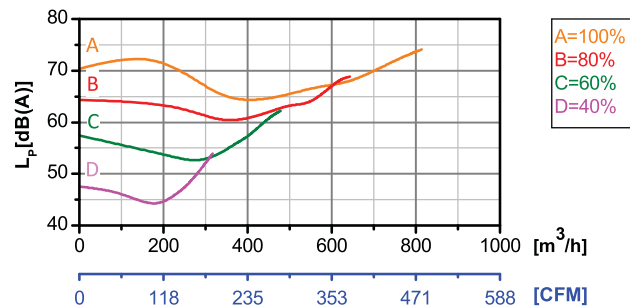
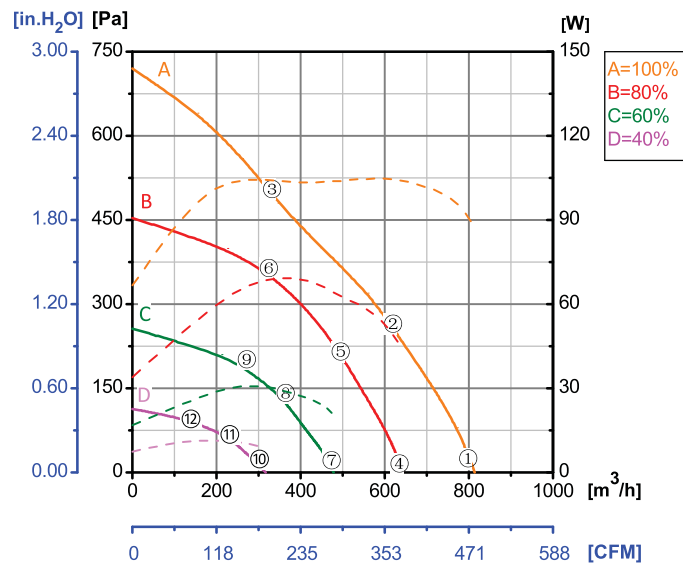
Erp2015
EXCEEDS THE NORM



Φ 175

Rotor Material: Carbon steel
Impeller Material: Plastic
Ingress Protection: IP44
Insulation Class: F
Bearing Type: Maintenance free ball bearing

Performance Curves

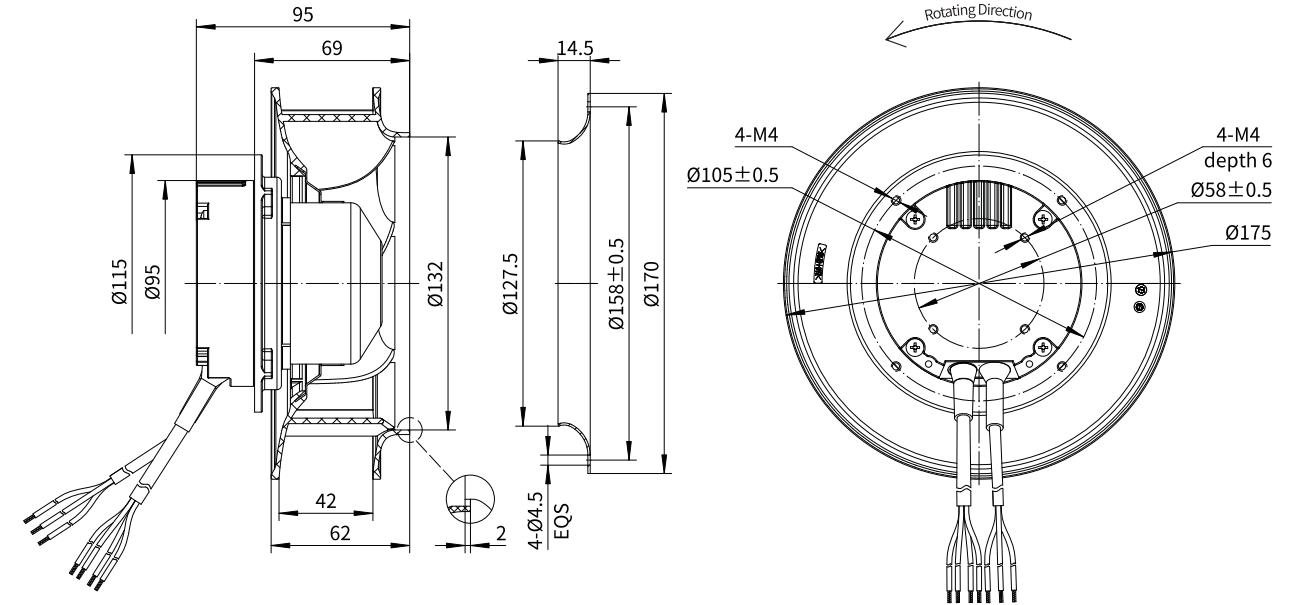


Test Point	Speed	Input Power
	rpm	W
1	4458	88
2	4269	105
3	4082	104
4	3563	43
5	3572	62
6	3568	70
7	2668	21
8	2682	29
9	2668	31
10	1773	9
11	1774	11
12	1774	11

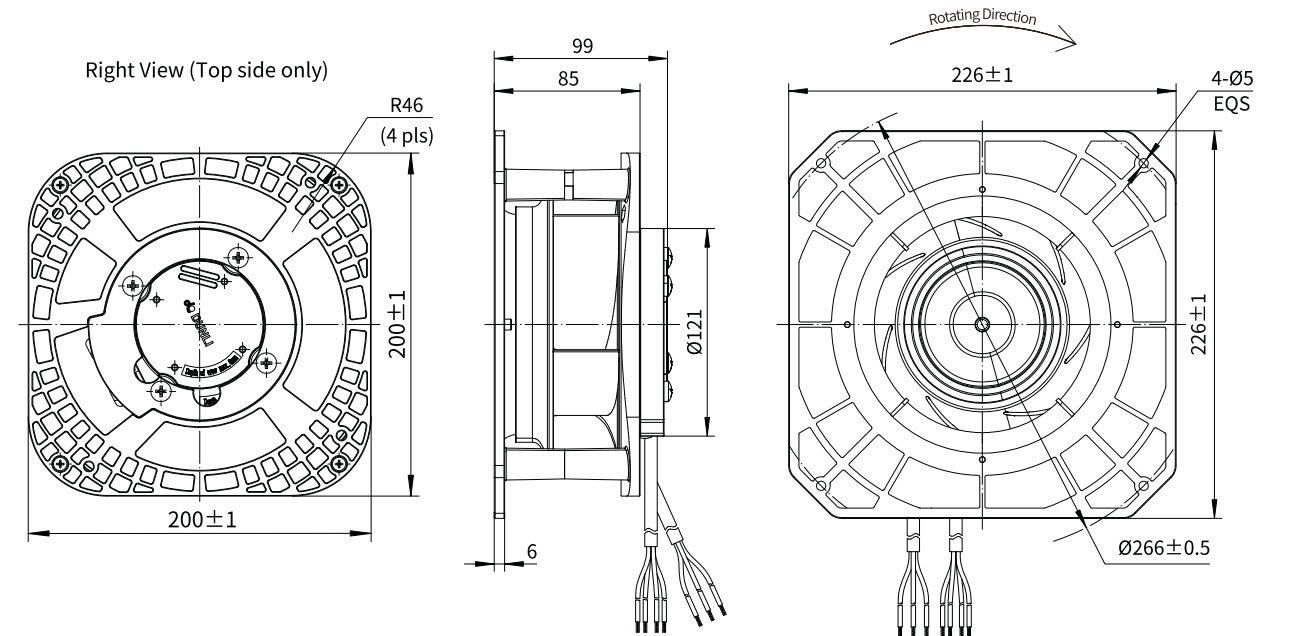
Erp2015 Data:
Efficiency η_{statA} = 56%
Efficiency grade N_{actual} = 76.9, N_{target} = 62
Test report No. : L-20210302-005-002

Model No.	Voltage	Frequency	Speed	Input Power	Current	Working Temp.	APProvals
	VAC	Hz	RPM	W	A	Min/Max (°C)	
EC72-B175-005	1~220/230	50/60	4500	90	0.62	-20/+60	CCC,CE

Motorized Backward Curved Impeller



With Supporting Rack



High-efficiency B/C Centrifugal