

EC Plastic Airfoil Blade Axial Fan

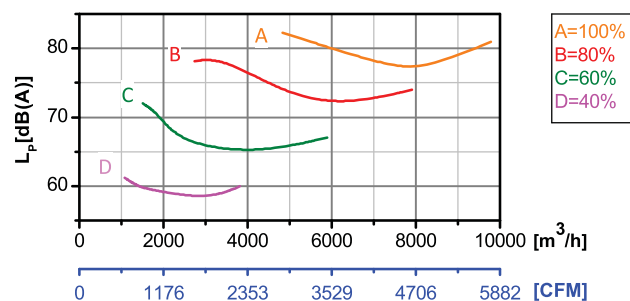
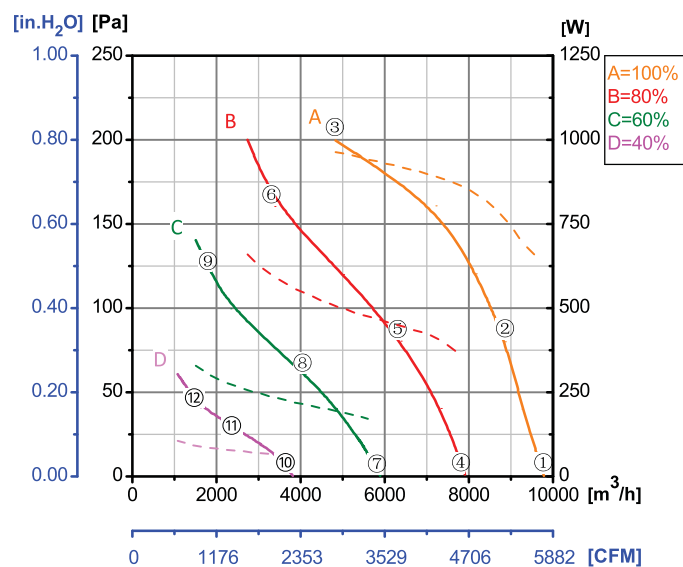
ErP2015
EXCEEDS THE NORM



Φ 500 (3-phase)

Rotor Material: Carbon steel
Blade Material: Plastic
Ingress Protection: IP54
Insulation Class: F
Bearing Type: Maintenance free ball bearing

Performance Curves

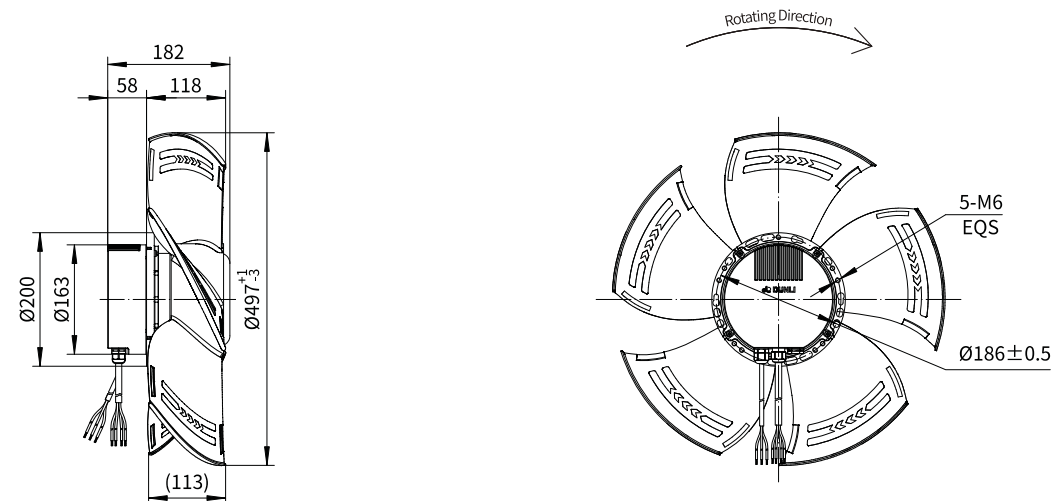


Test Point	Speed	Input Power
	rpm	W
1	1559	630
2	1538	770
3	1538	963
4	1249	349
5	1256	449
6	1256	581
7	938	159
8	945	209
9	945	298
10	628	57
11	631	70
12	628	97

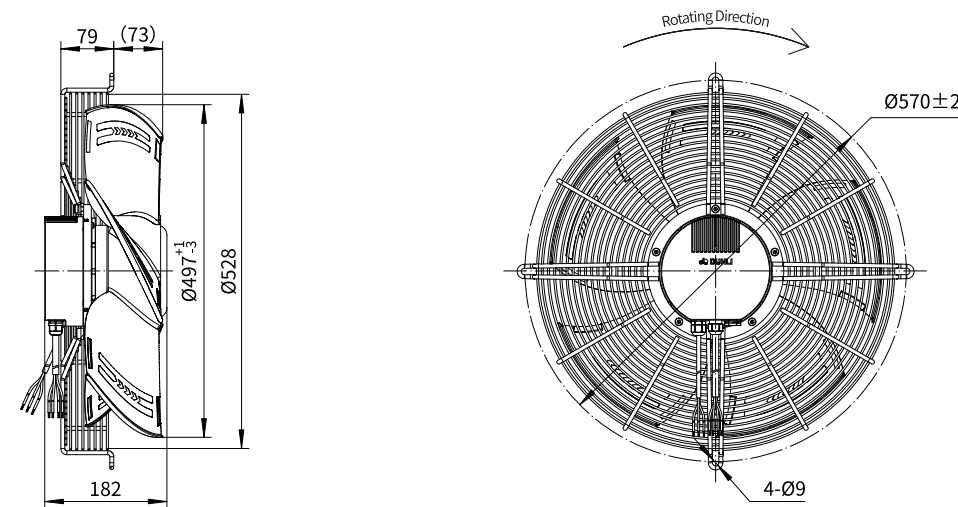
Erp2015 Data:
Efficiency η_{statA} = 39.2%
Efficiency grade N_{actual} = 45.9, N_{target} = 40
Test report No. : L-20210302-004-053

Model No.	Voltage	Frequency	Speed	Input Power	Current	Working Temp.	APPROVALS
	VAC	Hz	RPM	W	A	Min/Max (°C)	
EC137-A500-001	3~380/400	50/60	1600	950	1.60	-20/+60	CCC,CE

Type A



Type D



Type F

