

Plastic Airfoil Blade Axial Fan

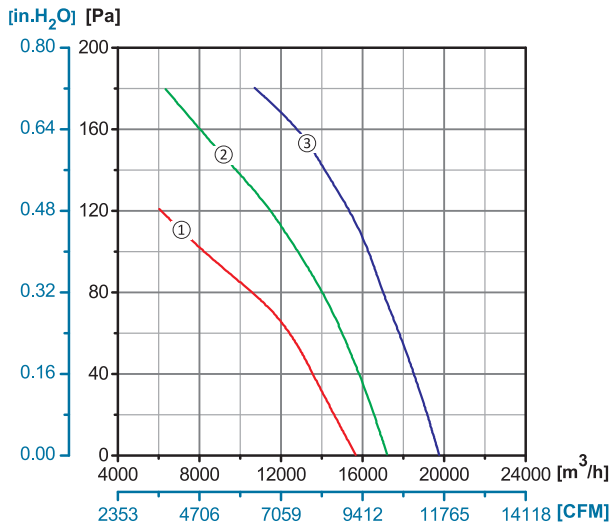
ErP2015
EXCEEDS THE NORM








Φ710

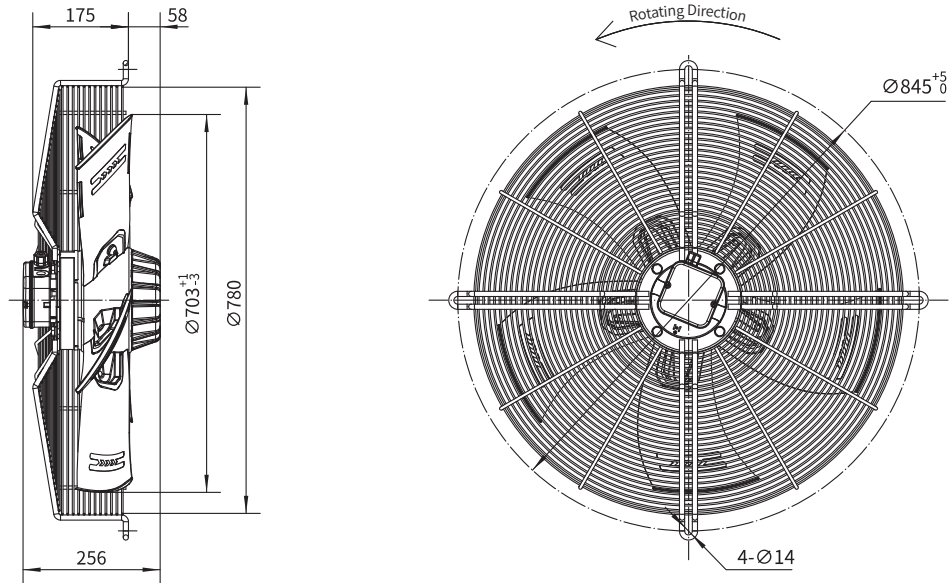
Rotor Material: Aluminum Die-casting
Impeller Material: Plastic
Ingress Protection: IP54
Insulation Class: F
Bearing Type: Maintenance Free Ball Bearing

Performance Curves

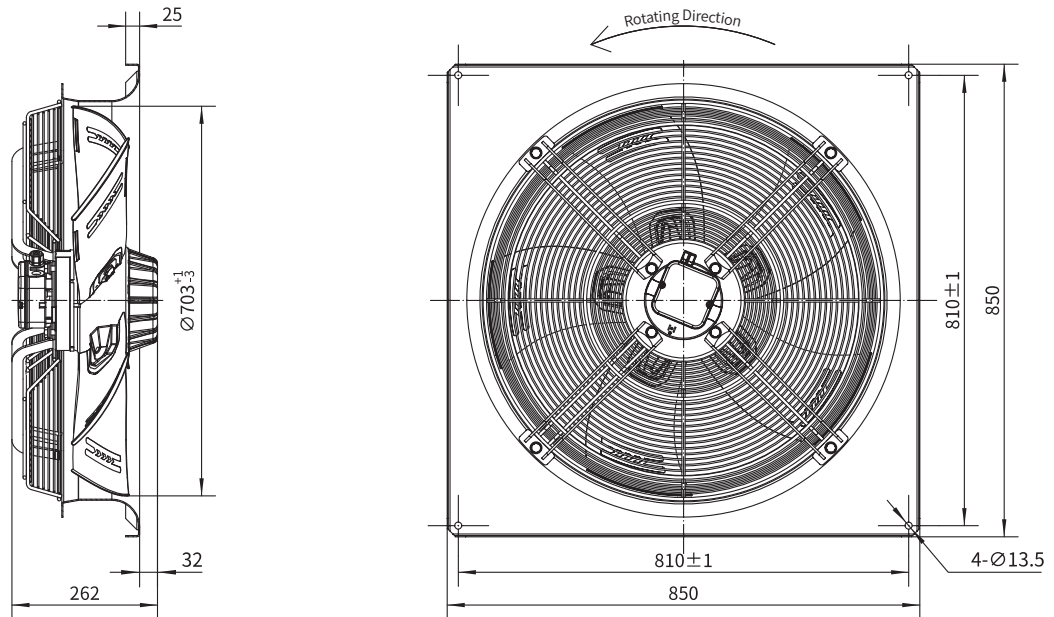



				
Type B	Type C	Type D	Type E	Type F0
/	/	YWF.A6T-710S-5D SP0	/	/

Type D



Type F1



	Voltage	Frequency	Current	Power	Speed	Capacitor	Air Flow (0 Pa)	Noise	Curve	Working Temp.	Approvals
Type F1	V	Hz	A	W	RPM	µF	[m ³ /h]/[CFM]	dB(A)	No.	Min/Max(°C)	
YWF.A6T-710S-5F SP0	380/400	50	2.00	850	950	/	16500/9710	75	②	-30/+60	CCC, CE
	380/400	60	1.20	680	860	/	15000/8820	73	①	-30/+60	CCC, CE
	380/400	60	2.30	1280	1100	/	19200/11290	77	③	-30/+60	CCC, CE

