



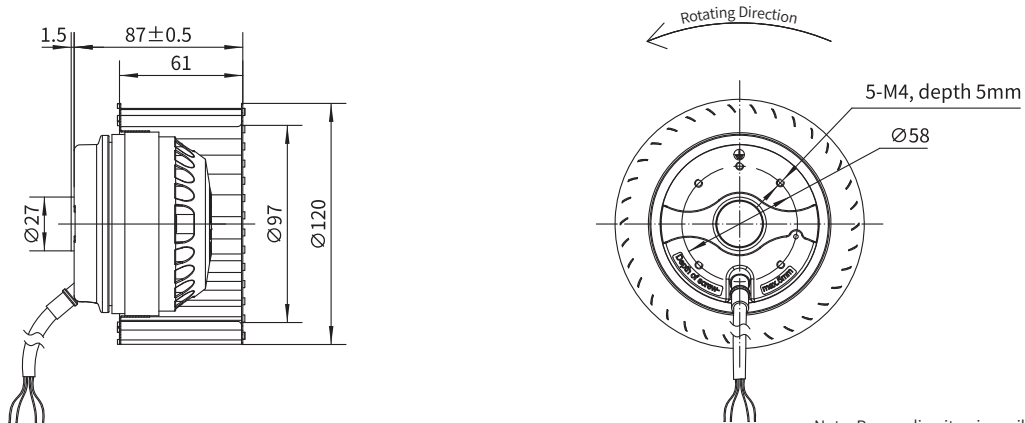
Forward Curved Centrifugal Fan



Φ 120

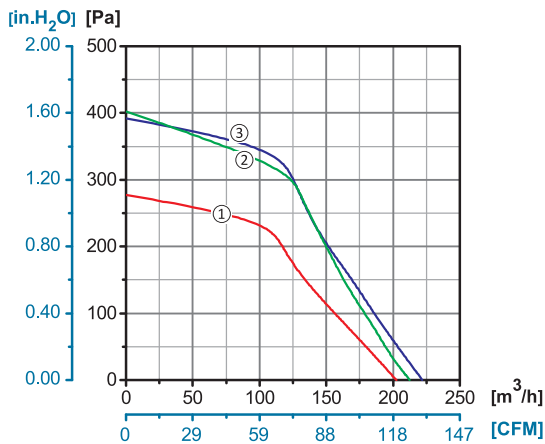
Rotor Material: Aluminum Die-casting
Impeller Material: Galvanized Steel Sheet
Ingress Protection: IP44
Insulation Class: F
Bearing Type: Maintenance Free Ball Bearing

Dimensional Drawings



Note: Revers direction is available

Performance Curves



Model No.	Voltage	Frequency	Current	Power	Speed	Capacitor	Air Flow (0 Pa)	Noise	Curve	Working Temp.	Approvals
	V	Hz	A	W	RPM	µF	[m ³ /h]/[CFM]	dB(A)	No.	Min/Max (°C)	
YWF.F2S-120-060AX2A	110/120	60	0.53	64	2975	6	210/123	66	②	-30/+60	
YWF.F2S-120-060AX20	220/230	50	0.3	65	2650	3	220/120	63	①	-30/+60	CCC, CE
	220/230	60	0.39	80	3000	3	220/129	66	③	-30/+60	CE