



In-line Duct Fan



Φ 125

Rotor Material: Aluminum Die-casting

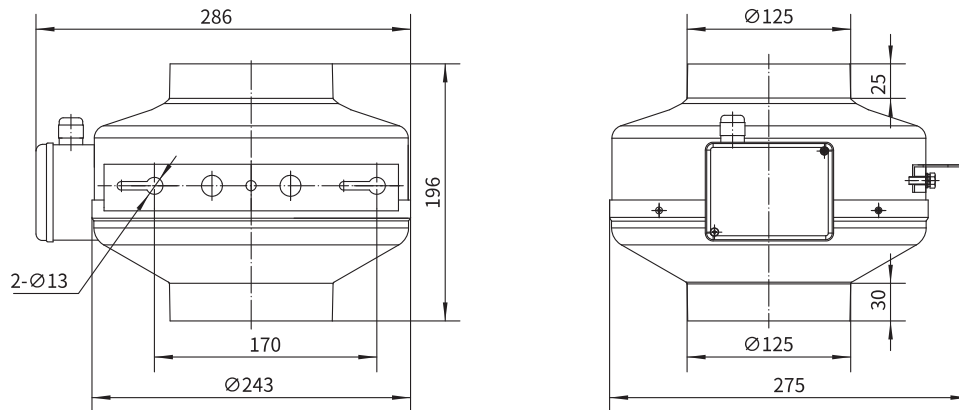
Housing Material: Carbon Steel

Ingress Protection: IP44

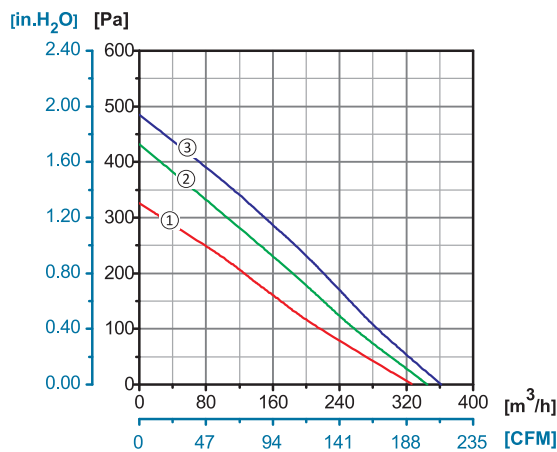
Insulation Class: F

Bearing Type: Maintenance Free Ball Bearing

Dimensional Drawings



Performance Curves



In-line Duct Fan

Model No.	Voltage	Frequency	Current	Power	Speed	Capacitor	Air Flow (0 Pa)	Noise	Curve	Working Temp.	Approvals
	V	Hz	A	W	RPM	µF	[m ³ /h]/[CFM]	dB(A)	No.	Min/Max (°C)	
YWF.G2S-125-196AA2A	110/120	60	0.63	75	2975	8	360/235	63	③	-30/+60	
YWF.G2S-125-196AA20	220/230	50	0.32	70	2620	3	320/180	61	①	-30/+60	CCC, CE
	220/230	60	0.41	86	2940	3	340/200	63	②	-30/+60	CE

