

**EC Backward Centrifugal Fan with Metal Impeller**

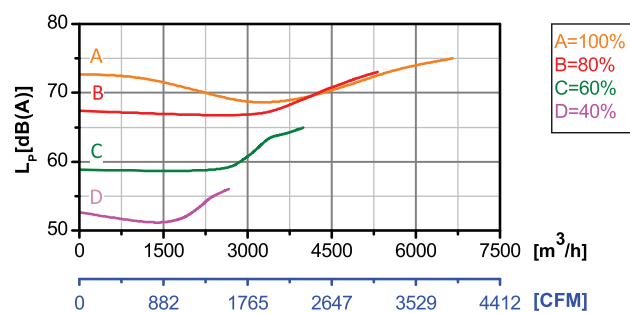
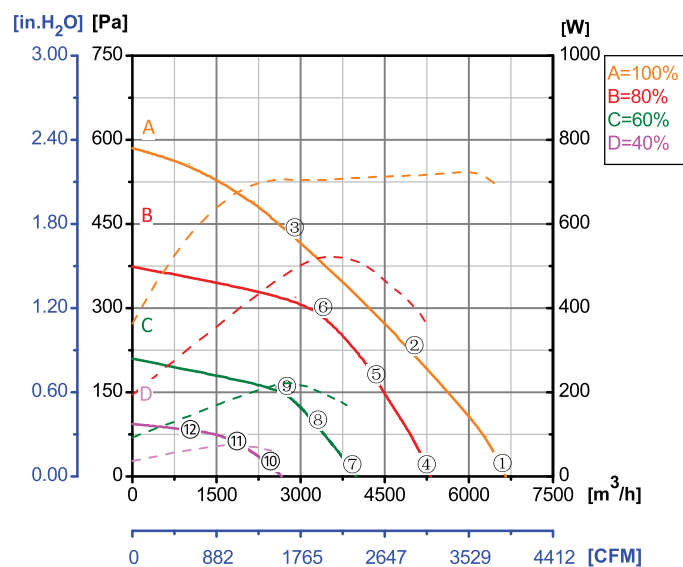
**Erp2015**  
EXCEEDS THE NORM



**Φ 450**

Rotor Material: Carbon steel  
 Impeller Material: Aluminum alloy sheet  
 Ingress Protection: IP54  
 Insulation Class: F  
 Bearing Type: Maintenance free ball bearing

**Performance Curves**

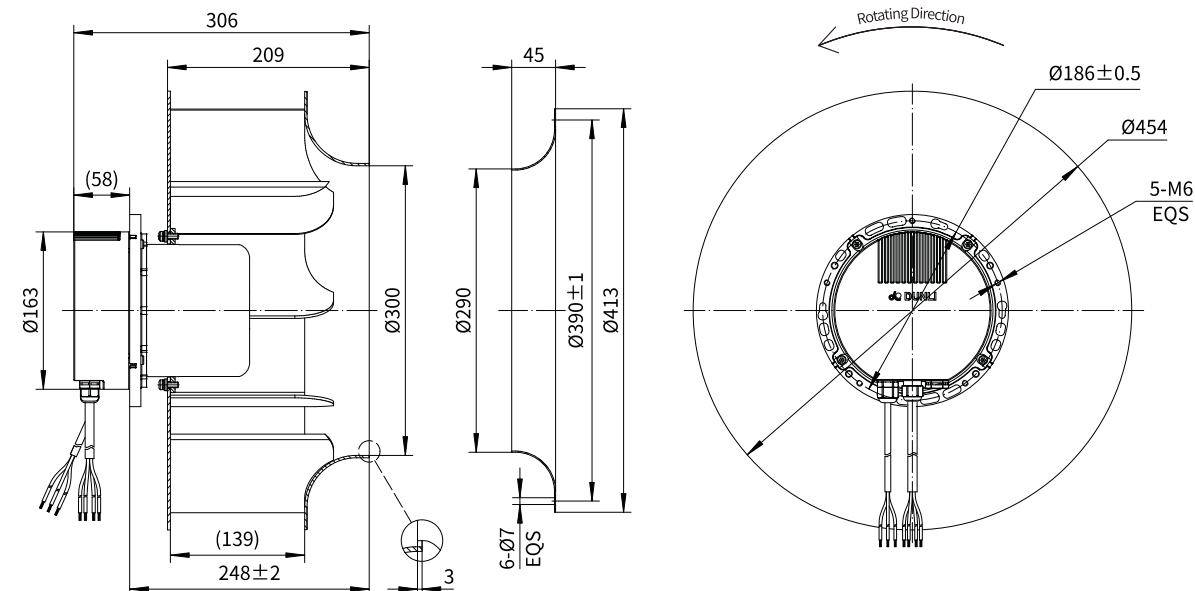


Test Point	Speed	Input Power
	rpm	W
1	1453	661
2	1334	714
3	1310	704
4	1164	346
5	1169	474
6	1168	524
7	874	155
8	873	199
9	874	222
10	582	57
11	578	66
12	581	74

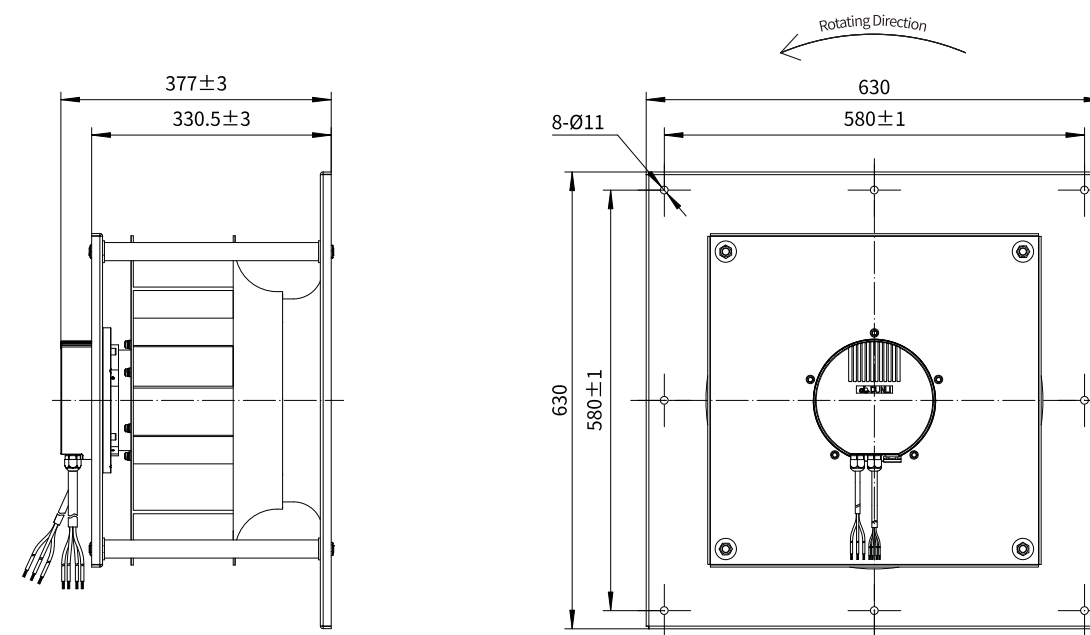
Erp2015 Data:  
 Efficiency  $\eta_{statA}$  = 56.3%  
 Efficiency grade  $N_{actual}$  = 68.5,  $N_{target}$  = 62  
 Test report No. : L-20210302 -005-068

Model No.	Voltage	Frequency	Speed	Input Power	Current	Working Temp.	Approvals
	VAC	Hz	RPM	W	A	Min/Max (°C)	
EC137-B450-002	1~220/230	50/60	1450	600	3.70	-20/+60	CCC,CE

**Motorized Backward Curved Impeller**



**With Supporting Rack**



Metal Impeller B/C Centrifugal