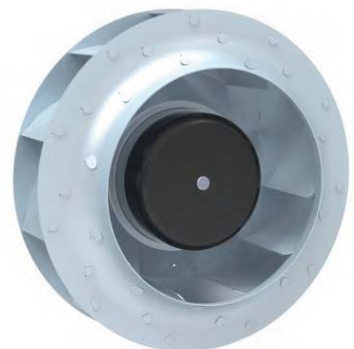


EC Backward Centrifugal Fan with Metal Impeller

Erp2015  
EXCEEDS THE NORM

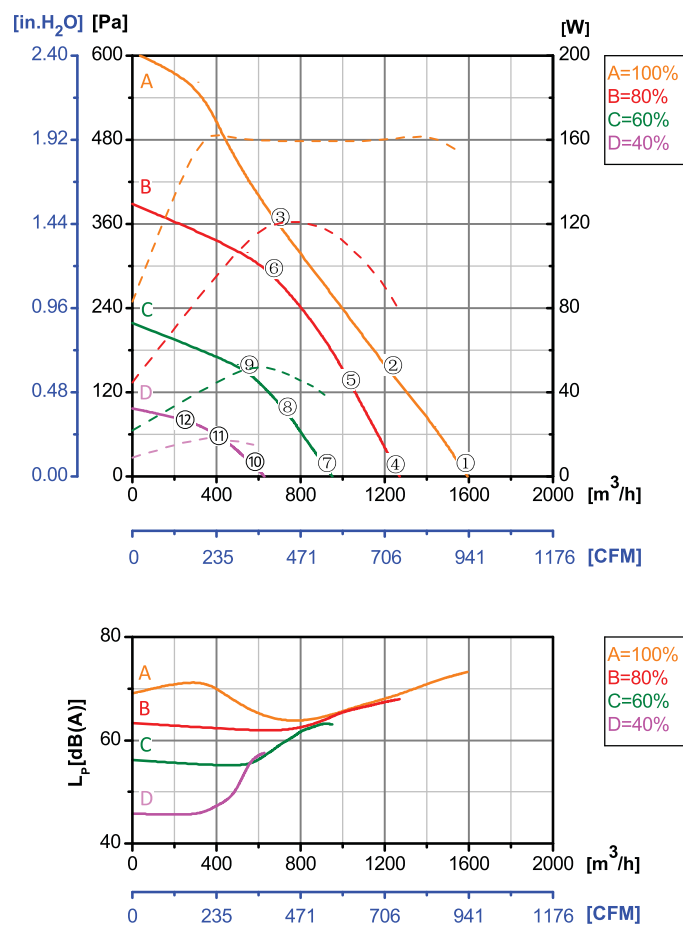
Motorized Backward Curved Impeller



Φ 250-L

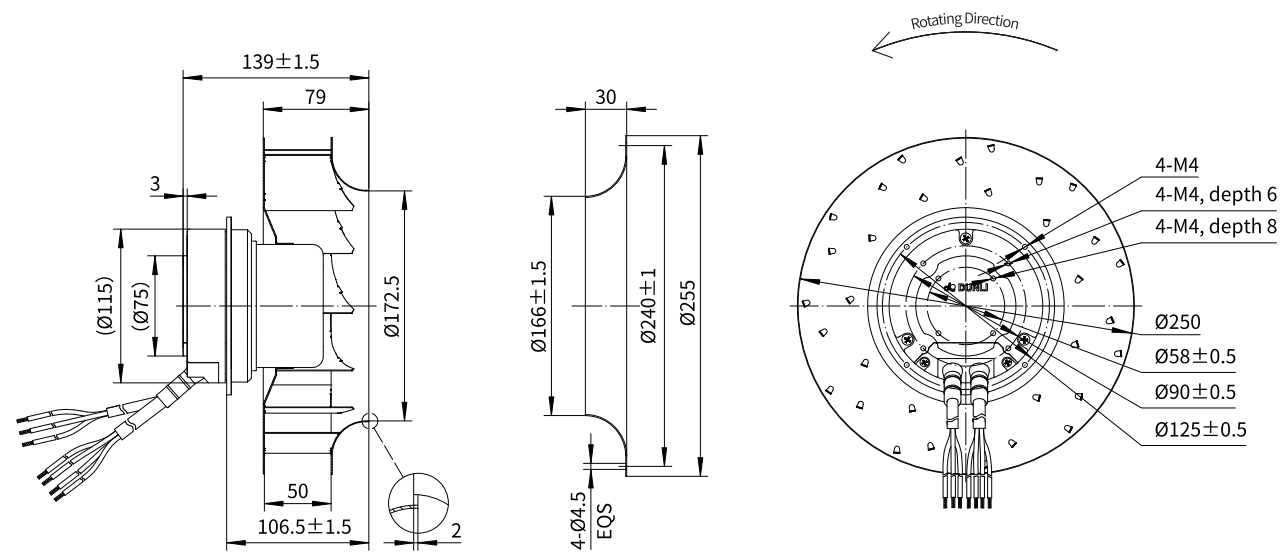
Rotor Material: Carbon steel  
Impeller Material: Galvanized steel sheet  
Ingress Protection: IP44  
Insulation Class: F  
Bearing Type: Maintenance free ball bearing

Performance Curves



Test Point	Speed	Input Power
	rpm	W
1	2809	151
2	2589	161
3	2462	160
4	2249	78
5	2250	107
6	2249	121
7	1687	36
8	1688	48
9	1687	52
10	1124	13
11	1125	16
12	1124	18

Erp2015 Data:  
Efficiency η<sub>statA</sub>=50.0%  
Efficiency grade N<sub>actual</sub>=68.8, N<sub>target</sub>=62  
Test report No. : L-20210302-005-102



Model No.	Voltage	Frequency	Speed	Input Power	Current	Working Temp.	APPROVALS
	VAC	Hz	RPM	W	A	Min/Max (°C)	
EC92-B250-B10	1~220/230	50/60	2800	160	1.15	-20/+60	CCC,CE