



In-line Duct Fan



Φ 150

Rotor Material: Aluminum Die-casting

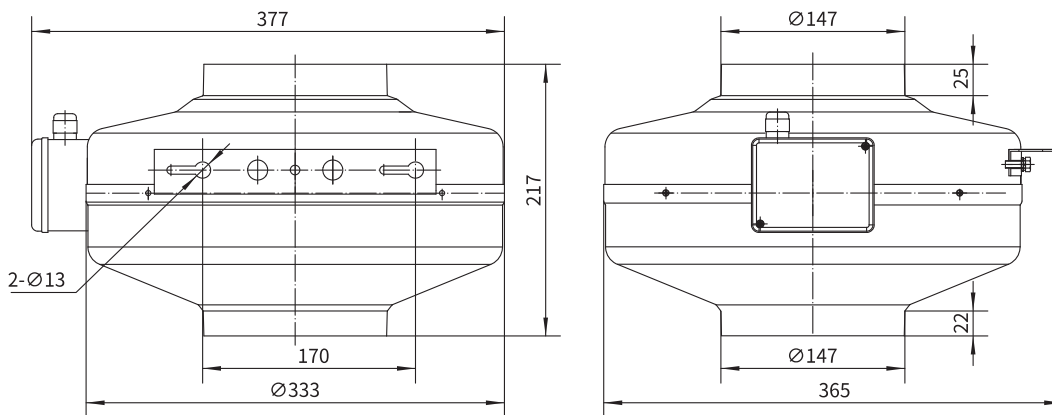
Housing Material: Carbon Steel

Ingress Protection: IP44

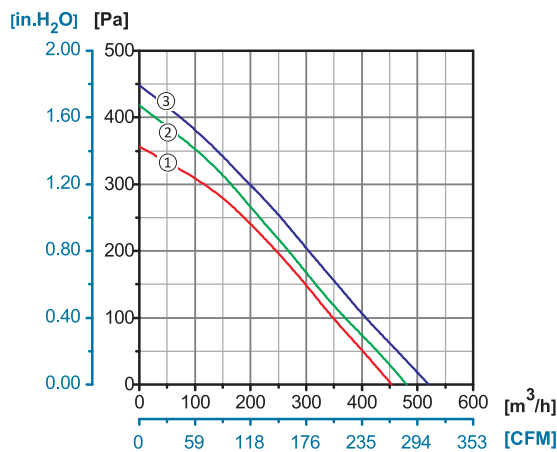
Insulation Class: F

Bearing Type: Maintenance Free Ball Bearing

Dimensional Drawings



Performance Curves



Model No.	Voltage	Frequency	Current	Power	Speed	Capacitor	Air Flow (0 Pa)	Noise	Curve	Working Temp.	Approvals
	V	Hz	A	W	RPM	µF	[m ³ /h]/[CFM]	dB(A)	No.	Min/Max (°C)	
YWF.G2S-150-217AA2A	110/120	60	0.91	108	2520	10	520/305	67	③	-30/+60	
YWF.G2S-150-217AA20	220/230	50	0.37	80	2395	3	450/260	68	①	-30/+60	CCC, CE
	220/230	60	0.50	108	2425	3	480/282	70	②	-30/+60	CE