



## Conventional Carbon Steel Blade Axial Fan

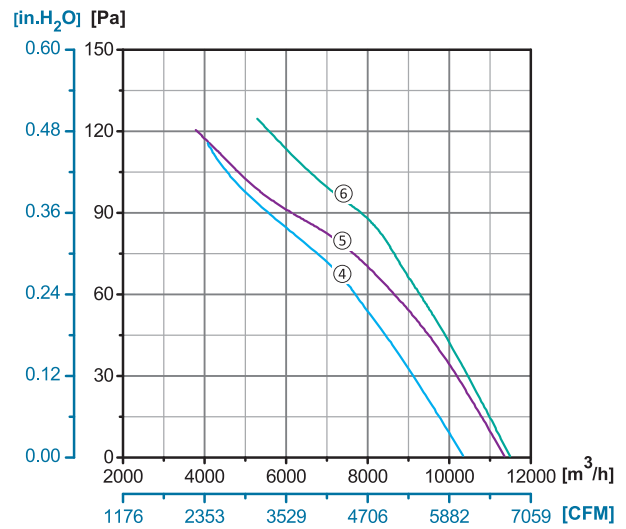
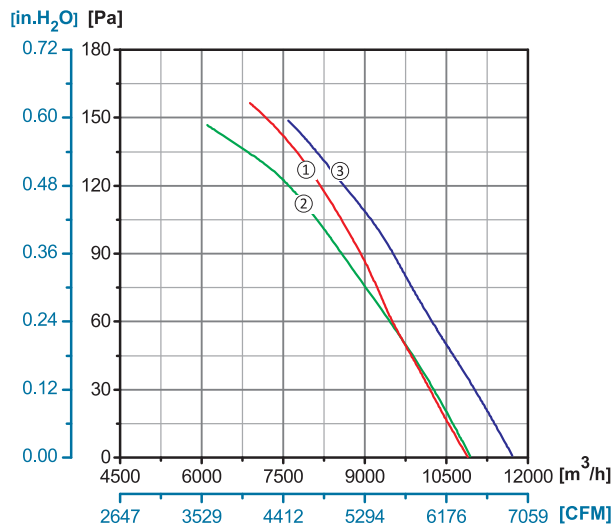
**ErP2015**  
EXCEEDS THE NORM



### Φ630-L

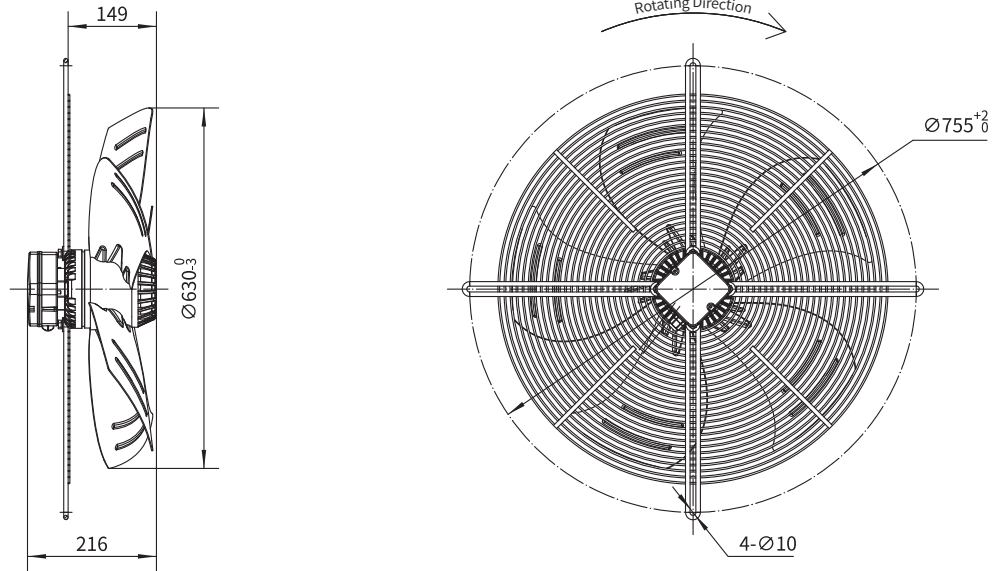
**Rotor Material:** Aluminum Die-casting  
**Impeller Material:** Carbon Steel  
**Ingress Protection:** IP54  
**Insulation Class:** F  
**Bearing Type:** Maintenance Free Ball Bearing

### Performance Curves



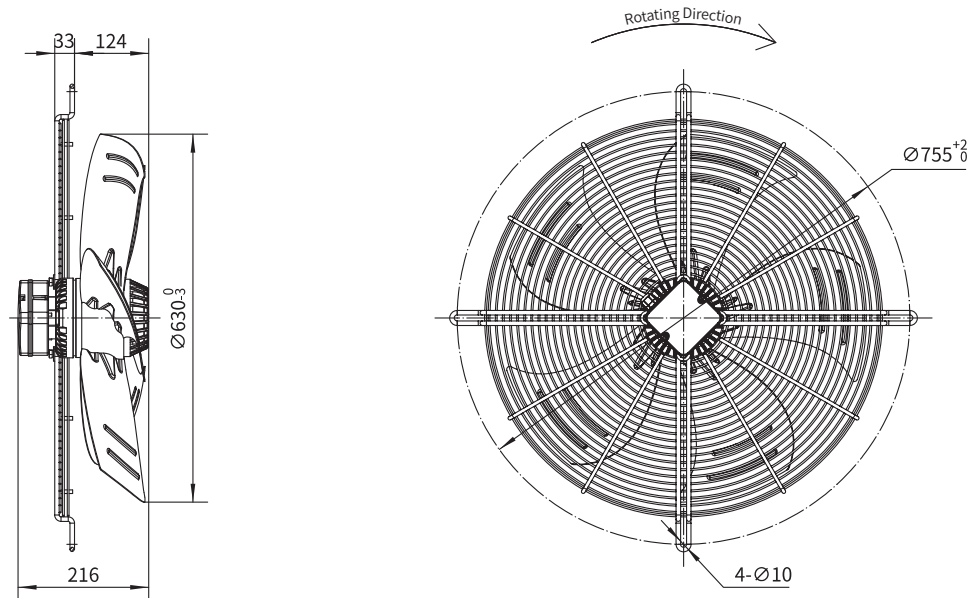
Type B	Type C	Type D	Type E	Type F0
YWF.A4S-630S-5B   A00	YWF.A4S-630S-5C   A00	YWF.A4S-630S-5E   A00	YWF.A4S-630S-5D   A00	YWF.A4S-630S-5F   A00
YWF.A4T-630S-5B   A00	YWF.A4T-630S-5C   A00	YWF.A4T-630S-5E   A00	YWF.A4T-630S-5D   A00	YWF.A4T-630S-5F   A00
YWF.A6S-630S-5B   A00	YWF.A6S-630S-5C   A00	YWF.A6S-630S-5E   A00	YWF.A6S-630S-5D   A00	YWF.A6S-630S-5F   A00
YWF.A6T-630S-5B   A00	YWF.A6T-630S-5C   A00	YWF.A6T-630S-5E   A00	YWF.A6T-630S-5D   A00	YWF.A6T-630S-5F   A00


### Type B



Conv. Steel Blade Axial

### Type C



	Voltage	Frequency	Current	Power	Speed	Capacitor	Air Flow (0 Pa)	Noise	Curve	Working Temp.	Approvals
Type F1	V	Hz	A	W	RPM	$\mu\text{F}$	$[\text{m}^3/\text{h}]/[\text{CFM}]$	dB(A)	No.	Min/Max( $^{\circ}\text{C}$ )	
YWF.A4S-630S-5F   A01	220/230	50	3.70	800	1350	16	10940/6435	74	②	-30/+60	CCC, CE
	220/230	60	5.34	1150	1500	16	10890/6406	75	①	-30/+60	CCC, CE, UL
YWF.A4T-630S-5F   A01	380/400	50	1.60	850	1350	/	10890/6406	73	①	-30/+60	CCC, CE
	380/400	60	1.80	1010	1540	/	11700/6882	75	③	-30/+60	CCC, CE, UL
YWF.A6S-630S-5F   A01	220/230	50	2.50	520	900	12	10330/6076	67	④	-30/+60	CCC, CE
	220/230	60	3.25	705	1050	12	11360/6682	71	⑤	-30/+60	CCC, CE, UL
YWF.A6T-630S-5F   A01	380/400	50	1.40	550	900	/	10330/6076	67	④	-30/+60	CCC, CE
	380/400	60	1.56	740	1060	/	11500/6765	69	⑥	-30/+60	CCC, CE, UL

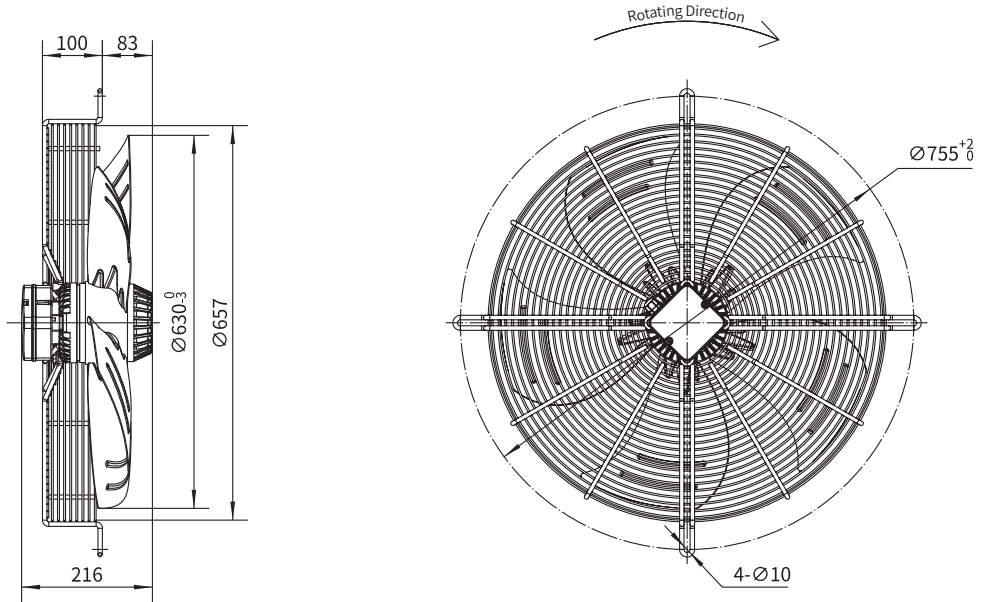




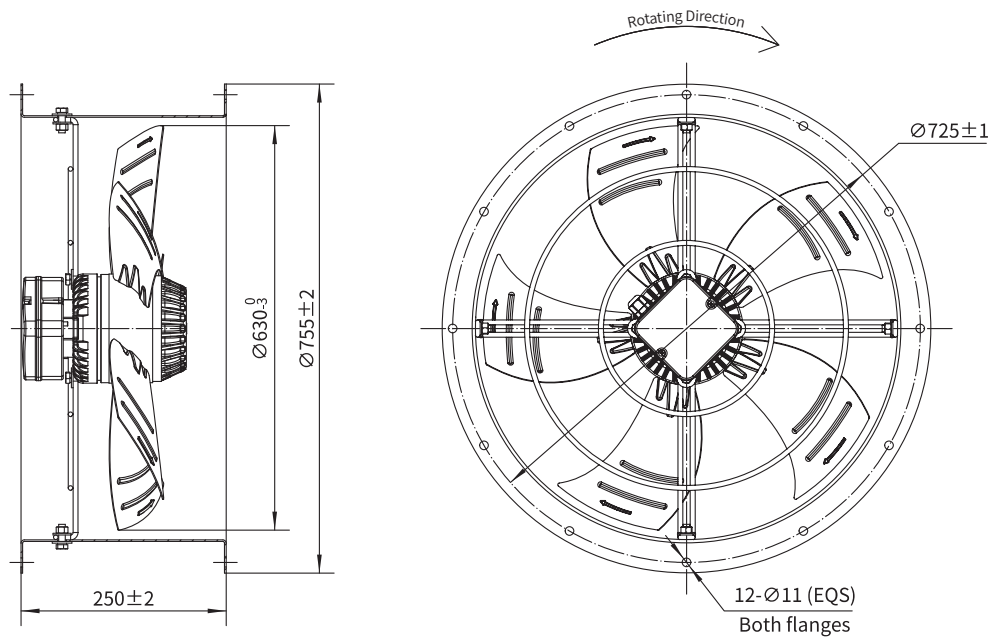
**Conventional Carbon Steel Blade Axial Fan**

**Φ630-L**

**Type D**



**Type E**

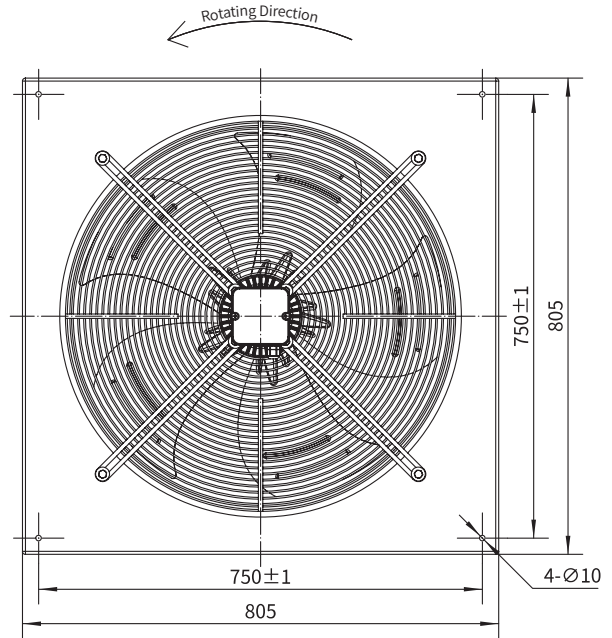
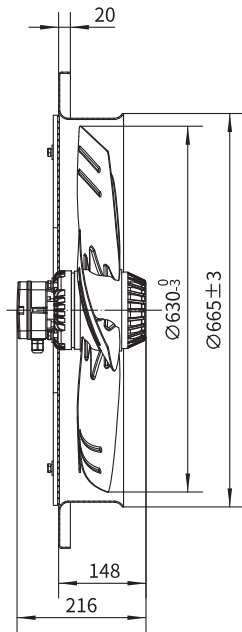




# Conventional Carbon Steel Blade Axial Fan

## Φ630-L

### Type F0



Conv. Steel Blade Axial

### Type F1

