



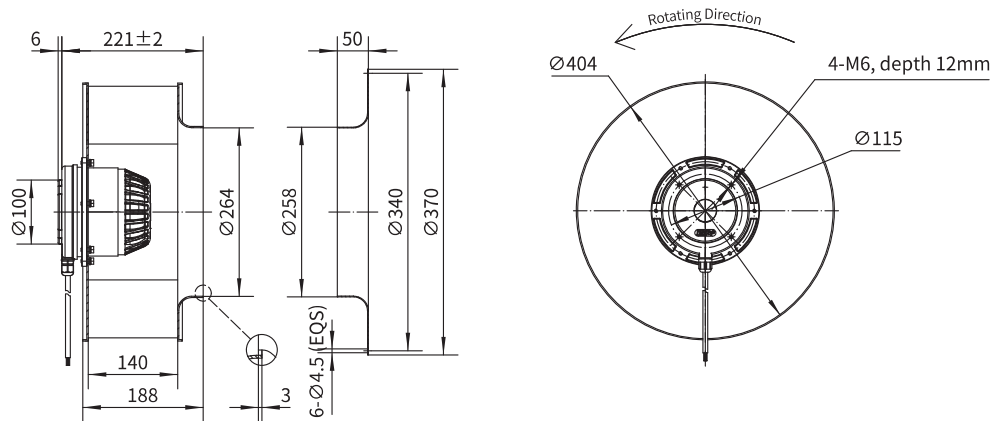
Backward Curved Centrifugal Fan with Conventional Metal Impeller



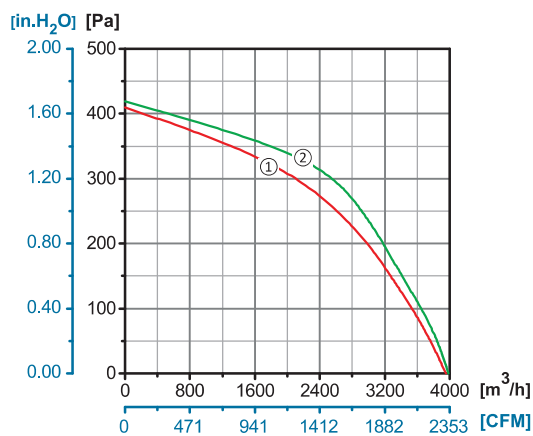
Φ 400

Rotor Material: Aluminum Die-casting
Impeller Material: Aluminum Alloy
Ingress Protection: IP54
Insulation Class: F
Bearing Type: Maintenance Free Ball Bearing

Dimensional Drawings



Performance Curves



Conv. Metal B/C Centrifugal

Model No.	Voltage	Frequency	Current	Power	Speed	Capacitor	Air Flow (0 Pa)	Noise	Curve	Working Temp.	Approvals
	V	Hz	A	W	RPM	µF	[m ³ /h]/[CFM]	dB(A)	No.	Min/Max (°C)	
YWF.B4S-400-188AB10	220/230	50	1.50	320	1380	12	3950/2323	65	①	-30/+60	CCC, CE
YWF.B4T-400-188AB10	380/400	50	0.92	320	1420	/	3990/2437	66	②	-30/+60	CCC, CE