



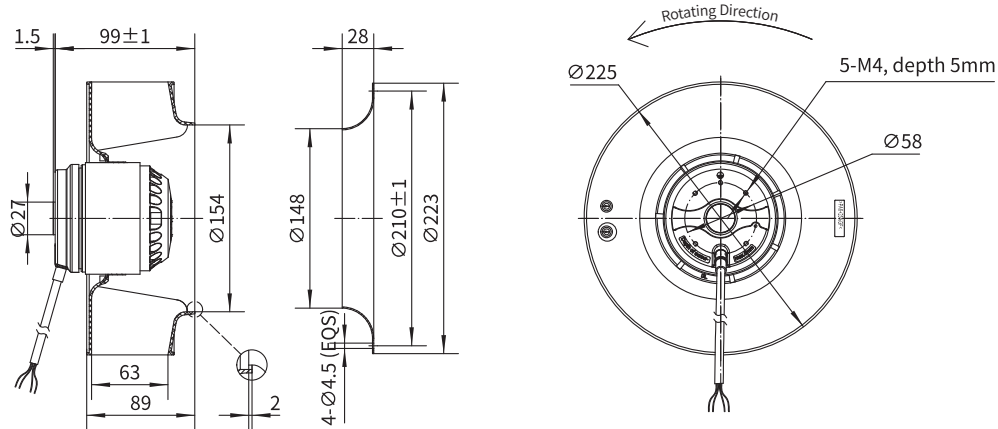
Backward Curved Centrifugal Fan with Conventional Plastic Impeller



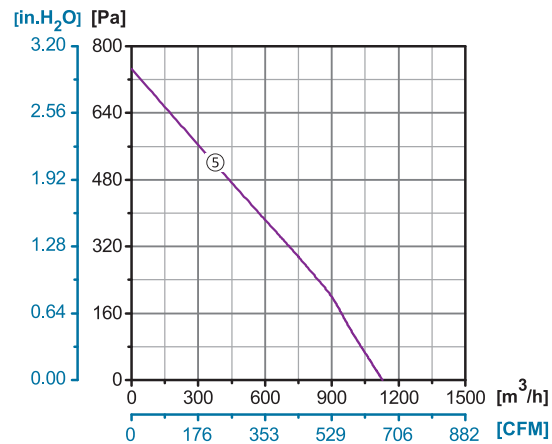
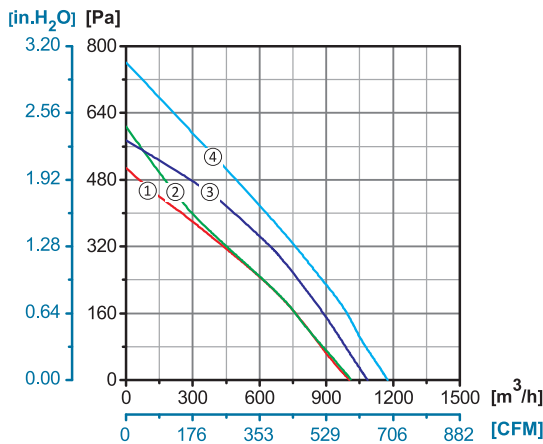
Φ 225

Rotor Material: Aluminum Die-casting
Impeller Material: Plastic
Ingress Protection: IP44
Insulation Class: F
Bearing Type: Maintenance Free Ball Bearing

Dimensional Drawings



Performance Curves



Model No.	Voltage	Frequency	Current	Power	Speed	Capacitor	Air Flow (0 Pa)	Noise	Curve	Working Temp.	Approvals
	V	Hz	A	W	RPM	µF	[m³/h]/[CFM]	dB(A)	No.	Min/Max (°C)	
YWF.B2S-225-089AB2B	110/120	60	2.07	230	2880	28	1130/664	80	⑤	-30/+60	
YWF.B2S-225-089AB21	220/230	50	0.66	145	2465	6	1085/638	76	③	-30/+60	CCC, CE
	220/230	60	0.96	205	2890	6	1175/691	78	④	-30/+60	CE
YWF.B2T-225-089AB20	380/400	50	0.20	115	2390	/	1005/591	71	①	-30/+60	CCC, CE
	380/400	60	0.26	156	2460	/	1010/594	72	②	-30/+60	CE

Conv. Plastic B/C Centrifugal