



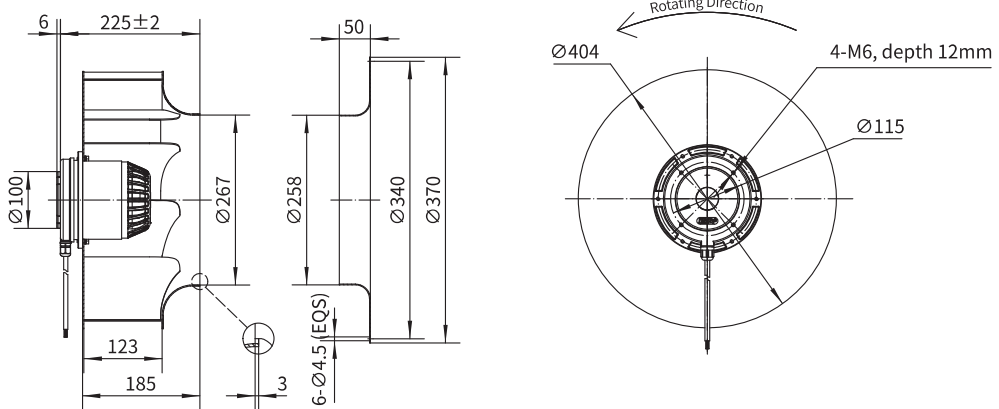
Backward Curved Centrifugal Fan with Conventional Metal Impeller



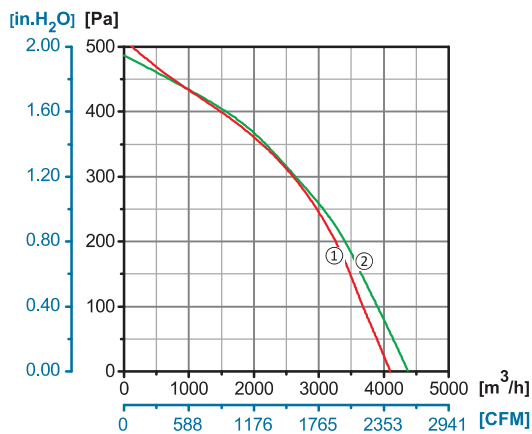
Φ 400

- Rotor Material: Aluminum Die-casting
- Impeller Material: Aluminum Alloy
- Ingress Protection: IP54
- Insulation Class: F
- Bearing Type: Maintenance Free Ball Bearing

Dimensional Drawings



Performance Curves



Model No.	Voltage	Frequency	Current	Power	Speed	Capacitor	Air Flow (0 Pa)	Noise	Curve	Working Temp.	Approvals
	V	Hz	A	W	RPM	µF	[m³/h]/[CFM]	dB(A)	No.	Min/Max (°C)	
YWF.B4S-400-188AB20	220/230	50	1.50	320	1380	12	4370/2570	67	②	-30/+60	CCC, CE
YWF.B4T-400-188AB20	380/400	50	0.96	370	1370	/	4100/2411	66	①	-30/+60	CCC, CE