



In-line Duct Fan



Φ 100

Rotor Material: Aluminum Die-casting

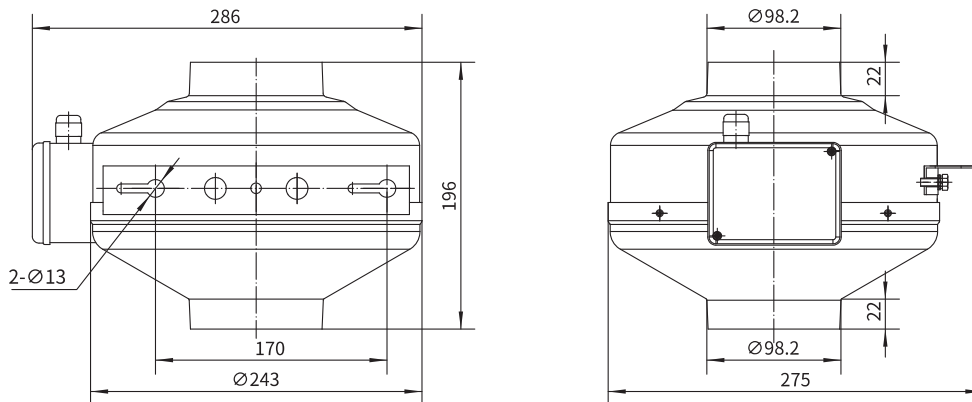
Housing Material: Carbon Steel

Ingress Protection: IP44

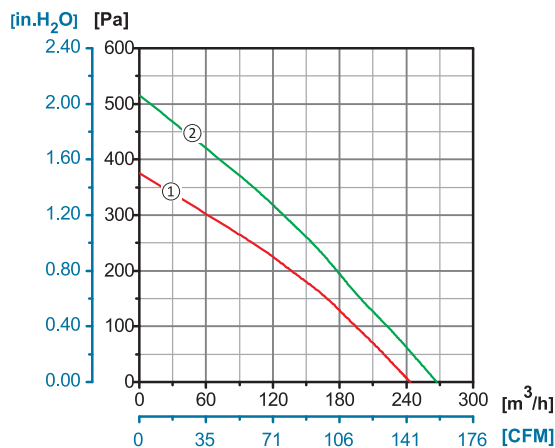
Insulation Class: F

Bearing Type: Maintenance Free Ball Bearing

Dimensional Drawings



Performance Curves



Model No.	Voltage	Frequency	Current	Power	Speed	Capacitor	Air Flow (0 Pa)	Noise	Curve	Working Temp.	Approvals
	V	Hz	A	W	RPM	μ F	[m ³ /h]/[CFM]	dB(A)	No.	Min/Max (°C)	
YWF.G2S-100-196AA2A	110/120	60	0.57	68	2875	6	275/155	63	②	-30/+60	
YWF.G2S-100-196AA20	220/230	50	0.28	61	2610	2.5	250/140	61	①	-30/+60	CCC, CE
	220/230	60	0.35	75	2940	2.5	275/155	63	②	-30/+60	CE