



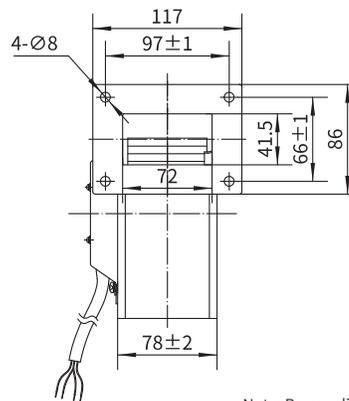
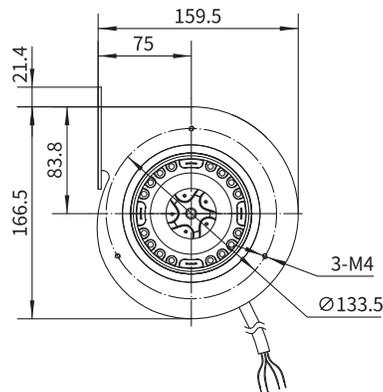
Forward Curved Blower



Φ 120

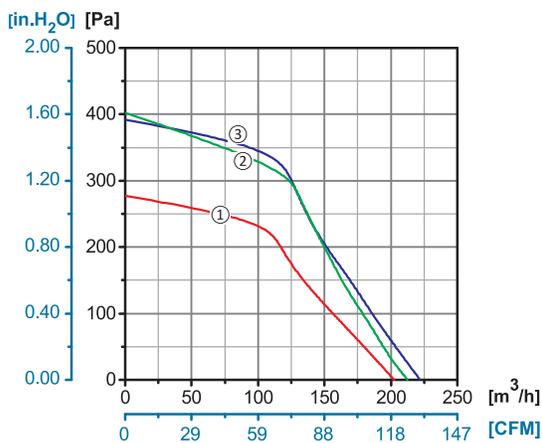
Rotor Material: Aluminum Die-casting
Impeller Material: Galvanized Steel Sheet
Ingress Protection: IP44
Insulation Class: F
Bearing Type: Maintenance Free Ball Bearing

Dimensional Drawings



Note: Revers direction is available

Performance Curves



Model No.	Voltage	Frequency	Current	Power	Speed	Capacitor	Air Flow (0 Pa)	Noise	Curve	Working Temp.	Approvals
	V	Hz	A	W	RPM	μF	[m³/h]/[CFM]	dB(A)	No.	Min/Max (°C)	
YWF.F2S-120-060AA2A	110/120	60	0.6	72	2800	6	210/123	66	②	-30/+60	
YWF.F2S-120-060AA20	220/230	50	0.31	68	2590	3	200/120	63	①	-30/+60	CCC, CE
	220/230	60	0.42	89	2850	3	220/129	66	③	-30/+60	CE