



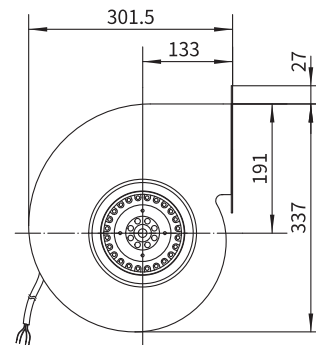
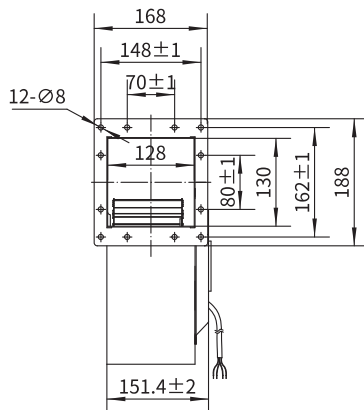
Forward Curved Blower



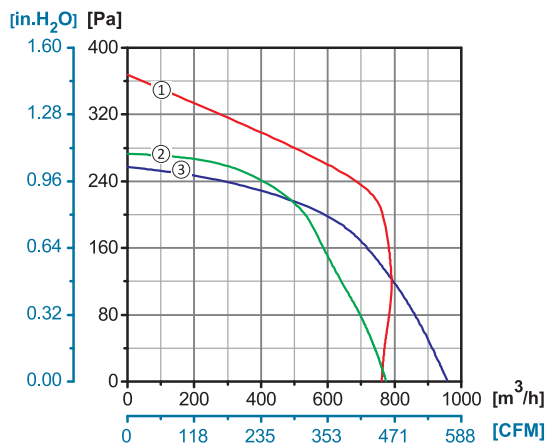
Φ 200

Rotor Material: Aluminum Die-casting
Impeller Material: Galvanized Steel Sheet
Ingress Protection: IP54
Insulation Class: F
Bearing Type: Maintenance Free Ball Bearing

Dimensional Drawings



Performance Curves



Model No.	Voltage	Frequency	Current	Power	Speed	Capacitor	Air Flow (0 Pa)	Noise	Curve	Working Temp.	Approvals
	V	Hz	A	W	RPM	μF	[m ³ /h]/[CFM]	dB(A)	No.	Min/Max (°C)	
YWF.F4S-200-102AA0A	110/120	60	1.67	200	940	12	774/455	59	②	-30/+60	
YWF.F4S-200-102AA00	220/230	50	0.90	200	1220	3.5	960/565	65	③	-30/+60	CCC, CE
	220/230	60	1.14	256	1160	3.5	760/447	61	①	-30/+60	CE