



In-line Duct Fan



Φ 200

Rotor Material: Aluminum Die-casting

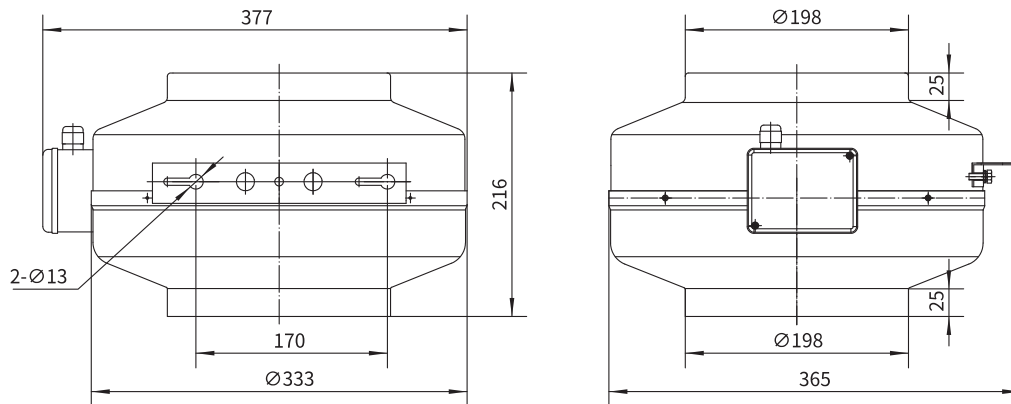
Housing Material: Carbon Steel

Ingress Protection: IP44

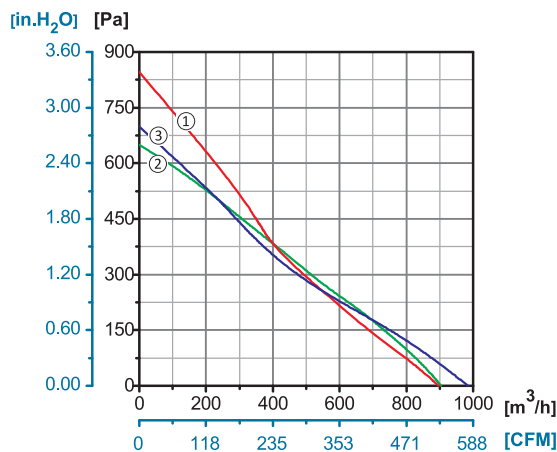
Insulation Class: F

Bearing Type: Maintenance Free Ball Bearing

Dimensional Drawings



Performance Curves



| Model No. | Voltage | Frequency | Current | Power | Speed | Capacitor | Air Flow (0 Pa) | Noise | Curve | Working Temp. | Approvals |
|---------------------|---------|-----------|---------|-------|-------|-----------|---------------------------|-------|-------|---------------|-----------|
| | V | Hz | A | W | RPM | μ F | [m ³ /h]/[CFM] | dB(A) | No. | Min/Max (°C) | |
| YWF.G2S-200-216AA2A | 110/120 | 60 | 1.87 | 217 | 2510 | 20 | 1000/580 | 69 | ③ | -30/+60 | |
| YWF.G2S-200-216AA20 | 220/230 | 50 | 0.79 | 170 | 2500 | 6 | 900/529 | 69 | ② | -30/+60 | CCC, CE |
| | 220/230 | 60 | 1.15 | 240 | 2480 | 6 | 900/529 | 69 | ① | -30/+60 | CE |