

**DC High-efficiency Backward Curved Centrifugal Fan**

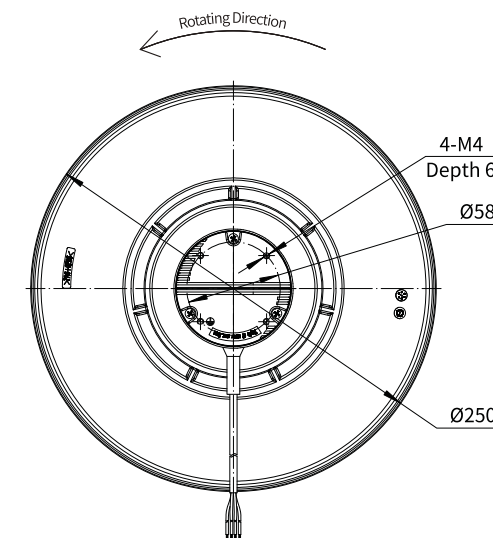
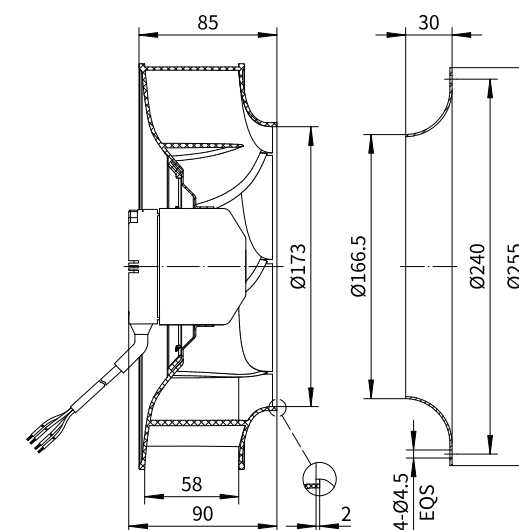
**Erp2015**  
EXCEEDS THE NORM

**Motorized Backward Curved Impeller**

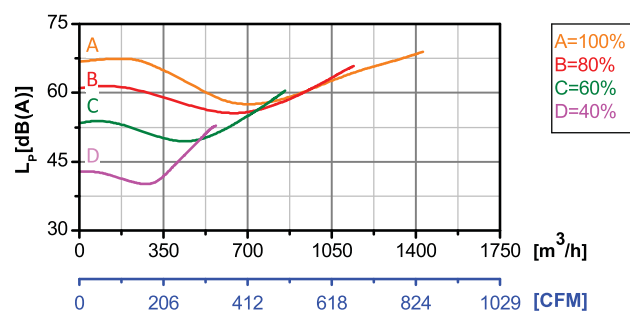
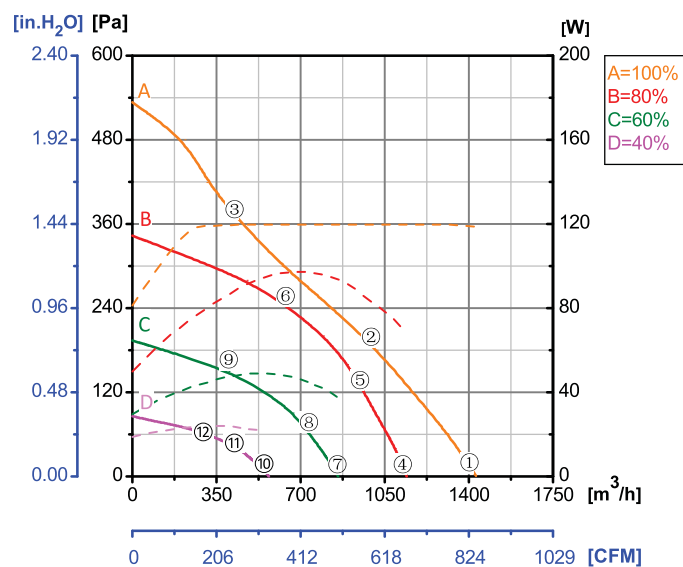


**Φ 250**

Rotor Material: Carbon steel  
 Impeller Material: Plastic  
 Ingress Protection: IP42  
 Insulation Class: F  
 Bearing Type: Maintenance free ball bearing



**Performance Curves**



Test Point	Speed	Input Power
	rpm	W
1	3040	78
2	2974	78
3	2814	77
4	2433	42
5	2435	45
6	2438	53
7	1821	21
8	1830	22
9	1824	24
10	1222	9
11	1232	10
12	1228	11

Erp2015 Data:  
 Efficiency  $\eta_{statA}$ =40.6%  
 Efficiency grade  $N_{actual}$ =49,  $N_{target}$ =40  
 Test report No. : L-20210302-004-087

Model No.	Voltage	Frequency	Speed	Input Power	Current	Working Temp.	APProvals
	VAC	Hz	RPM	W	A	Min/Max (°C)	
DC72-B250-D10	310	/	2450	120	0.39	-20/+60	CCC,CE

High-efficiency B/C Centrifugal