



Conventional Carbon Steel Blade Axial Fan

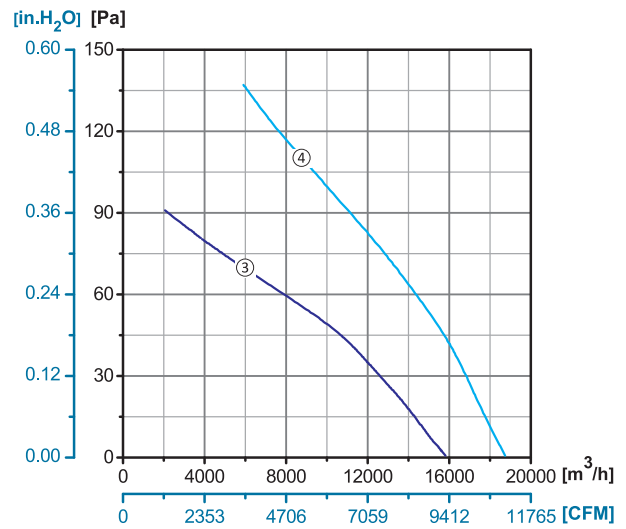
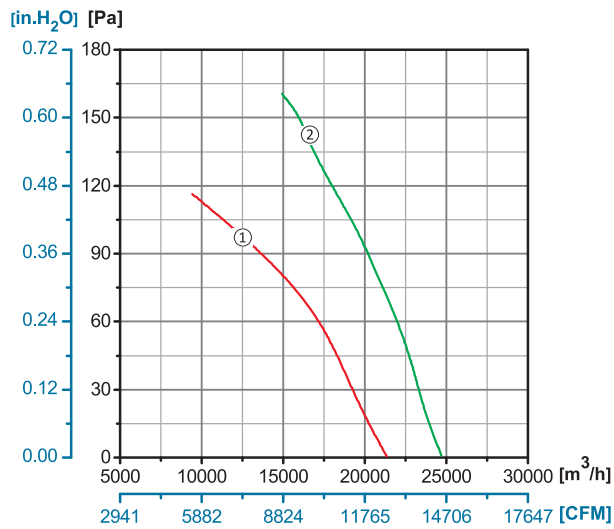
ErP2015
EXCEEDS THE NORM



Φ900

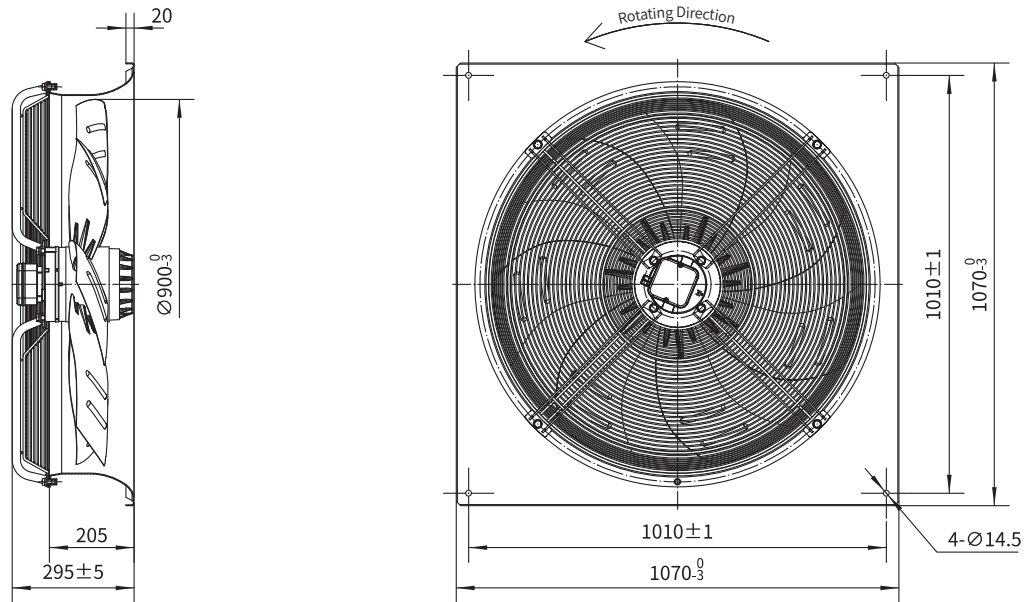
- Rotor Material: Aluminum Die-casting
- Impeller Material: Carbon Steel
- Ingress Protection: IP54
- Insulation Class: F
- Bearing Type: Maintenance Free Ball Bearing

Performance Curves




Type B	Type C	Type D	Type E	Type F0
/	/	/	/	/
/	/	/	/	/

Type F1



Conv. Steel Blade Axial

	Voltage	Frequency	Current	Power	Speed	Capacitor	Air Flow (0 Pa)	Noise	Curve	Working Temp.	Approvals
Type F1	V	Hz	A	W	RPM	µF	[m³/h]/[CFM]	dB(A)	No.	Min/Max(°C)	
YWF.A6T-900S-7F S10	380/400	50	3.20	1500	930	/	25000/14750	81	②	-30/+60	CCC, CE
	380/400	50	2.00	1150	800	/	21000/12390	78	①	-30/+60	CCC, CE
YWF.A8T-900S-7F S10	380/400	50	2.20	850	700	/	18730/11018	76	④	-30/+60	CCC, CE
	380/400	50	1.10	600	550	/	15800/9294	72	③	-30/+60	CCC, CE