



Plastic Airfoil Blade Axial Fan

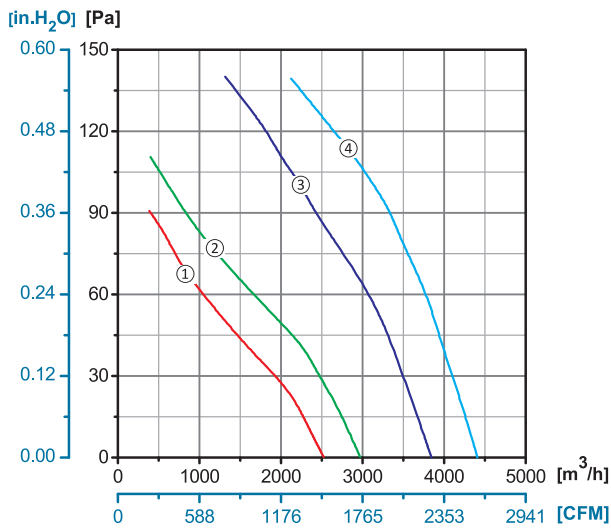
ErP2015
EXCEEDS THE NORM



Φ400

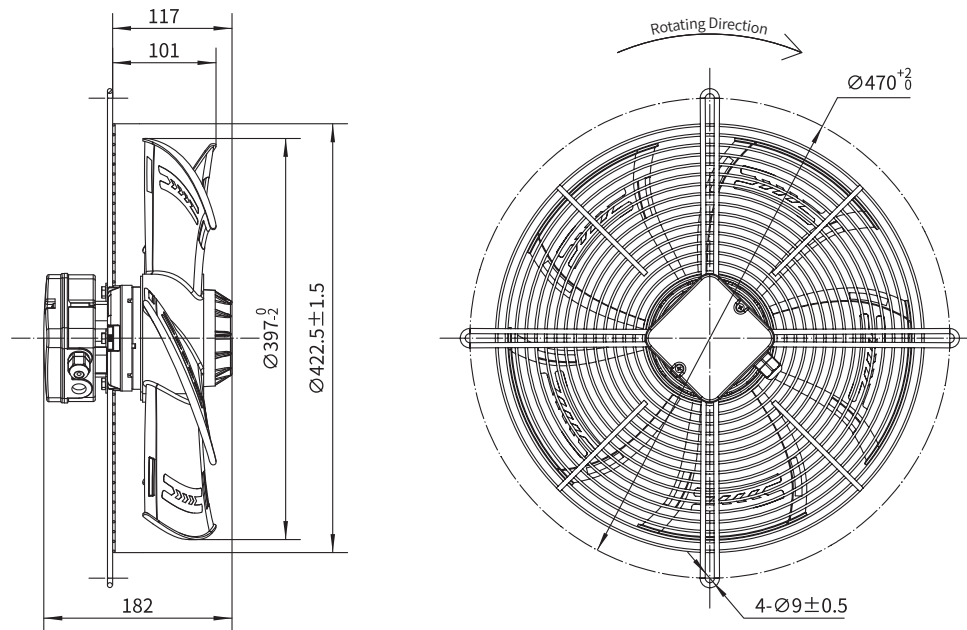
Rotor Material: Aluminum Die-casting
Impeller Material: Plastic
Ingress Protection: IP54
Insulation Class: F
Bearing Type: Maintenance Free Ball Bearing

Performance Curves

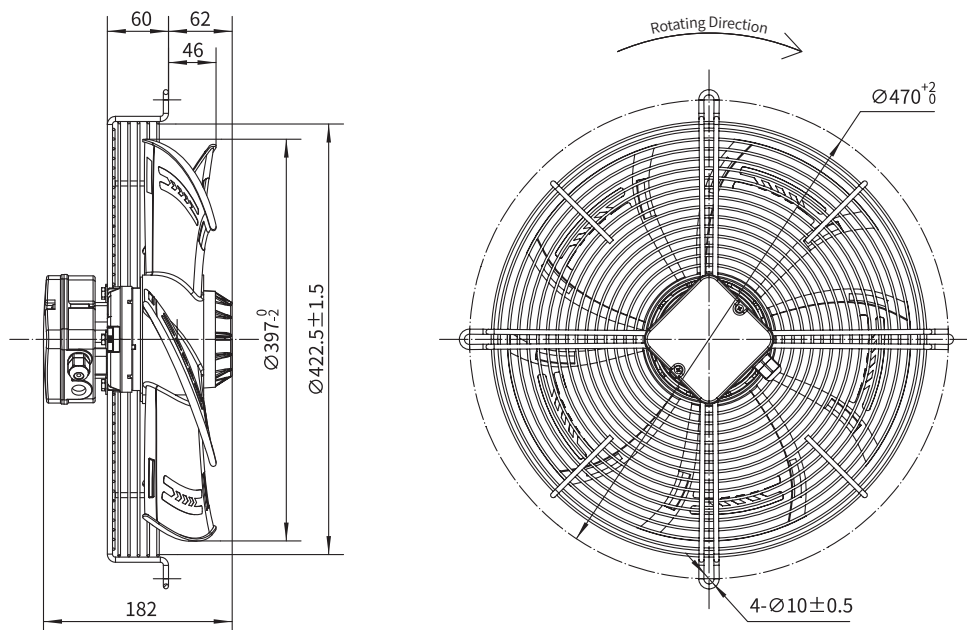


Type B	Type C	Type D	Type E	Type F0
YWF.A4S-400S-5B AP0	YWF.A4S-400S-5C AP0	YWF.A4S-400S-5D AP0	YWF.A4S-400S-5E AP0	YWF.A4S-400S-5F AP0
YWF.A4T-400S-5B AP0	YWF.A4T-400S-5C AP0	YWF.A4T-400S-5D AP0	YWF.A4T-400S-5E AP0	YWF.A4T-400S-5F AP0
YWF.A6S-400S-5B AP0	YWF.A6S-400S-5C AP0	YWF.A6S-400S-5D AP0	YWF.A6S-400S-5E AP0	YWF.A6S-400S-5F AP0
YWF.A6T-400S-5B AP0	YWF.A6T-400S-5C AP0	YWF.A6T-400S-5D AP0	YWF.A6T-400S-5E AP0	YWF.A6T-400S-5F AP0

Type B



Type C



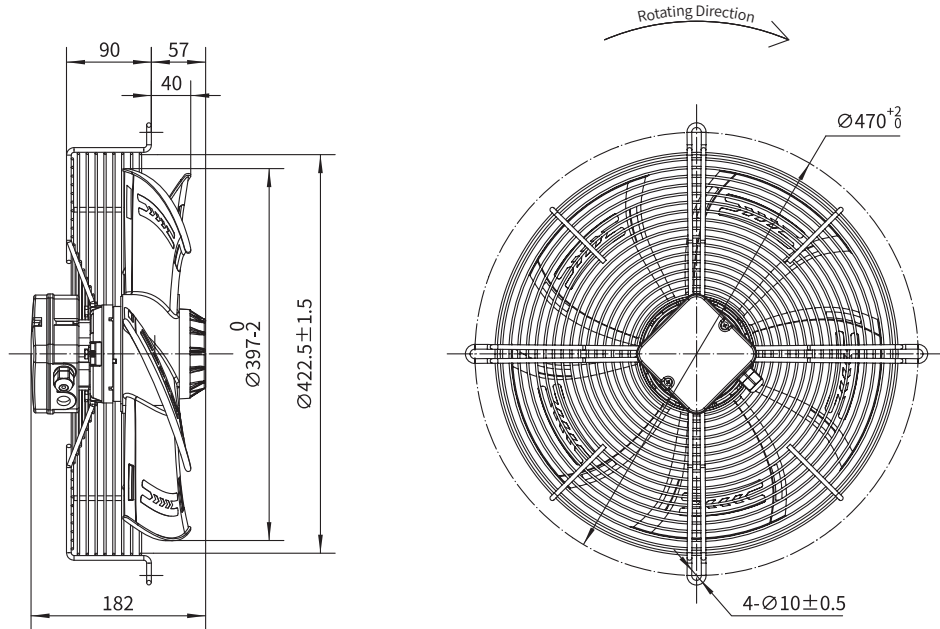
	Voltage	Frequency	Current	Power	Speed	Capacitor	Air Flow (0 Pa)	Noise	Curve	Working Temp.	Approvals
Type F1	V	Hz	A	W	RPM	μF	$[\text{m}^3/\text{h}]/[\text{CFM}]$	dB(A)	No.	Min/Max($^{\circ}\text{C}$)	
/	220/230	50	0.76	170	1400	6	3780/2225	58	③	-30/+60	CCC, CE
/	220/230	60	1.07	240	1600	6	4380/2575	61	④	-30/+60	CCC, CE
/	380/400	50	0.50	160	1400	/	3850/2265	60	③	-30/+60	CCC, CE
/	380/400	60	0.50	220	1600	/	4400/2590	63	④	-30/+60	CCC, CE
/	220/230	50	0.44	95	930	4	2520/1480	52	①	-30/+60	CCC, CE
/	220/230	60	0.49	110	1100	4	2970/1745	56	②	-30/+60	CCC, CE
/	380/400	50	0.30	90	940	/	2520/1480	54	①	-30/+60	CCC, CE
/	380/400	60	0.25	95	1100	/	2950/1735	57	②	-30/+60	CCC, CE



Plastic Airfoil Blade Axial Fan

Φ400

Type D





Plastic Airfoil Blade Axial Fan

Φ400

Type F0

