



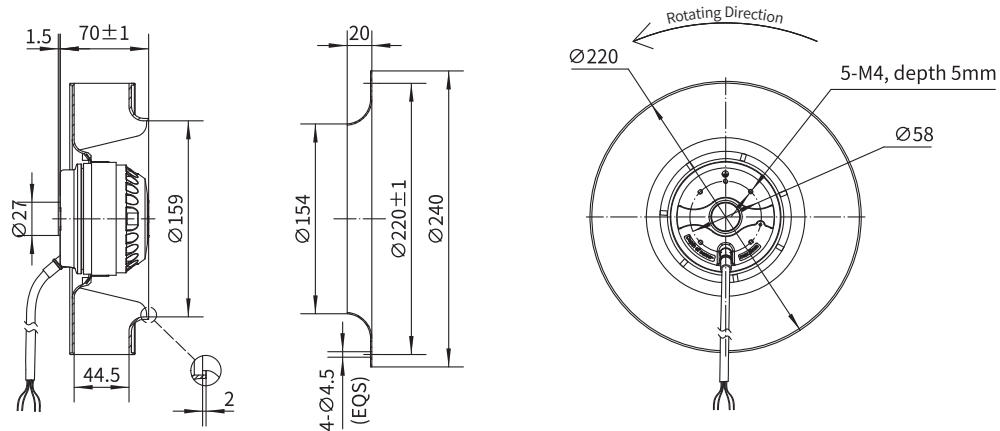
Backward Curved Centrifugal Fan with Conventional Plastic Impeller



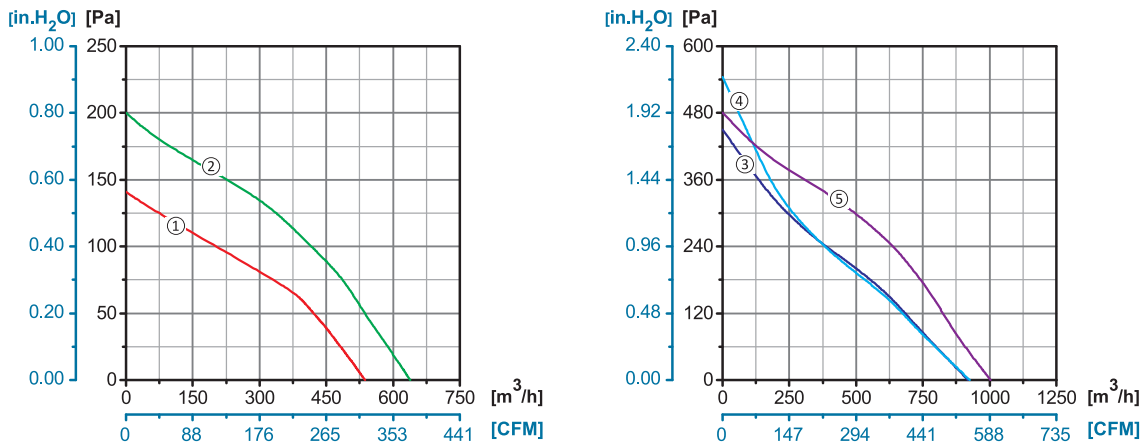
Φ 220

Rotor Material: Aluminum Die-casting
Impeller Material: Plastic
Ingress Protection: IP44
Insulation Class: F
Bearing Type: Maintenance Free Ball Bearing

Dimensional Drawings



Performance Curves



Model No.	Voltage	Frequency	Current	Power	Speed	Capacitor	Air Flow (0 Pa)	Noise	Curve	Working Temp.	Approvals
	V	Hz	A	W	RPM	µF	[m ³ /h]/[CFM]	dB(A)	No.	Min/Max (°C)	
YWF.B2S-220-065AB2A	110/120	60	0.94	110	2540	10	910/535	72	③	-30/+60	
YWF.B2S-220-065AB20	220/230	50	0.37	80	2410	3	910/535	70	③	-30/+60	CCC, CE
	220/230	60	0.49	105	2475	3	920/540	71	④	-30/+60	CE
YWF.B4S-220-065AB20	220/230	50	0.26	43	1440	1.5	530/311	60	①	-30/+60	CCC, CE
	220/230	60	0.19	41	1730	1.5	630/370	62	②	-30/+60	CE
YWF.B2T-220-065AB00	380/400	50	0.23	90	2660	/	1000/585	73	⑤	-30/+60	CCC, CE