



Plastic Airfoil Blade Axial Fan

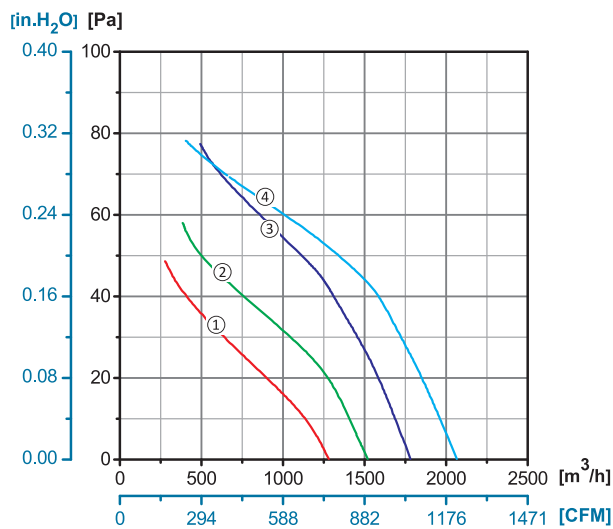
ErP2015
EXCEEDS THE NORM



Φ 300

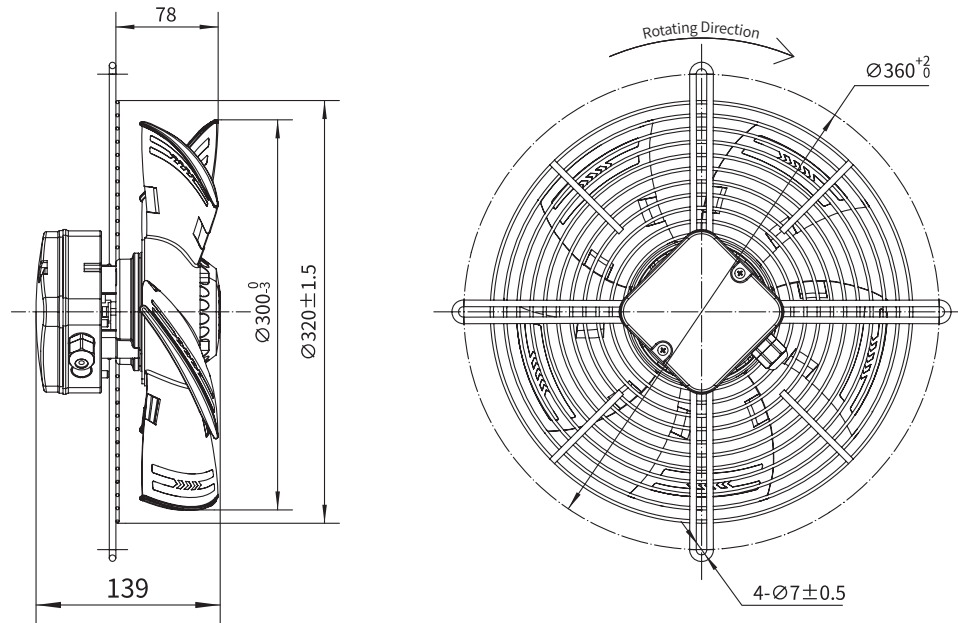
Rotor Material: Aluminum Die-casting
Impeller Material: Plastic
Ingress Protection: IP44
Insulation Class: F
Bearing Type: Maintenance Free Ball Bearing

Performance Curves

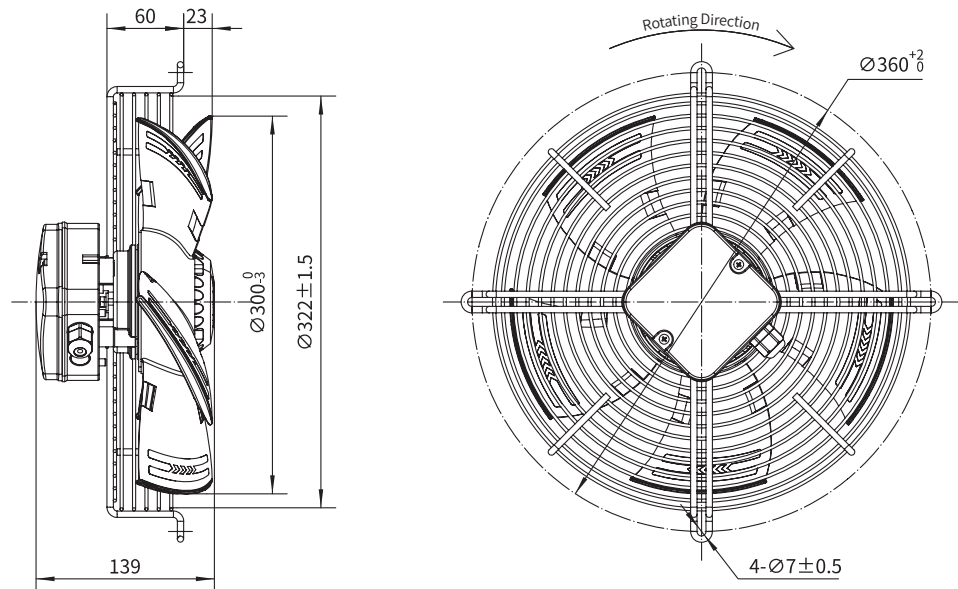


Type B	Type C	Type D	Type E	Type F0
YWF.A4S-300S-5B AP0	YWF.A4S-300S-5C AP0	YWF.A4S-300S-5D AP0	YWF.A4S-300S-5E AP0	YWF.A4S-300S-5F AP0
YWF.A4T-300S-5B AP0	YWF.A4T-300S-5C AP0	YWF.A4T-300S-5D AP0	YWF.A4T-300S-5E AP0	YWF.A4T-300S-5F AP0
YWF.A6S-300S-5B AP0	YWF.A6S-300S-5C AP0	YWF.A6S-300S-5D AP0	YWF.A6S-300S-5E AP0	YWF.A6S-300S-5F AP0

Type B



Type C



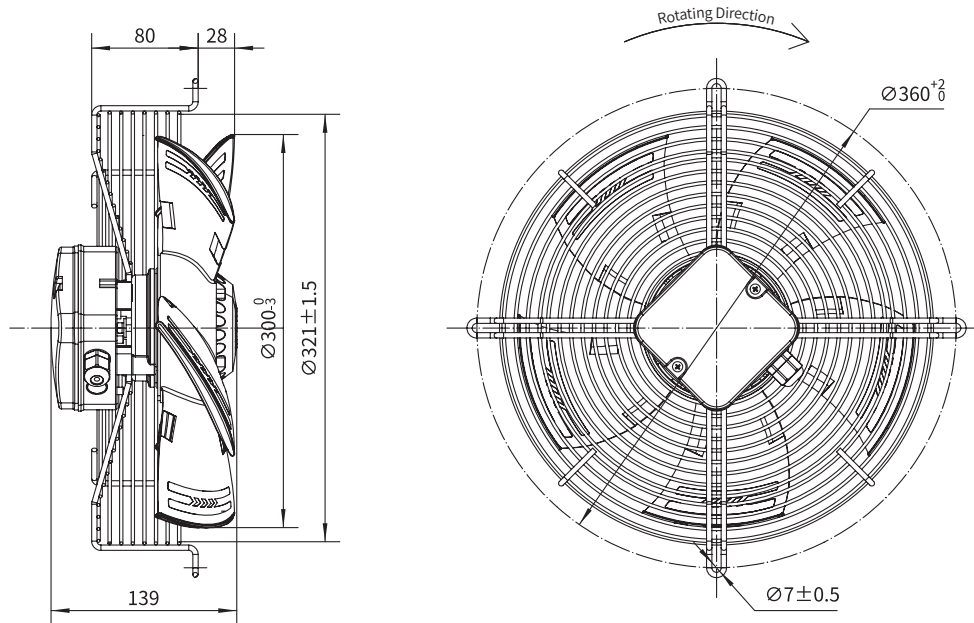
	Voltage	Frequency	Current	Power	Speed	Capacitor	Air Flow (0 Pa)	Noise	Curve	Working Temp.	Approvals
Type F1	V	Hz	A	W	RPM	μF	$[\text{m}^3/\text{h}]/[\text{CFM}]$	dB(A)	No.	Min/Max($^{\circ}\text{C}$)	
/	220/230	50	0.28	65	1320	2	1780/1050	53	③	-30/+60	CCC, CE
/	220/230	60	0.32	77	1485	2	2065/1215	56	④	-30/+60	CCC, CE
/	220/230	50	0.17	70	1350	/	1740/1025	55	③	-30/+60	CCC, CE
/	220/230	60	0.16	80	1500	/	1970/1160	58	④	-30/+60	CCC, CE
/	220/230	50	0.24	50	920	2	1280/755	48	①	-30/+60	CCC, CE
/	220/230	60	0.24	55	1080	2	1520/895	53	②	-30/+60	CCC, CE



Plastic Airfoil Blade Axial Fan

Φ 300

Type D





Plastic Airfoil Blade Axial Fan

Φ 300

Type F0

