

DC Forward Curved Centrifugal Fan and Blower

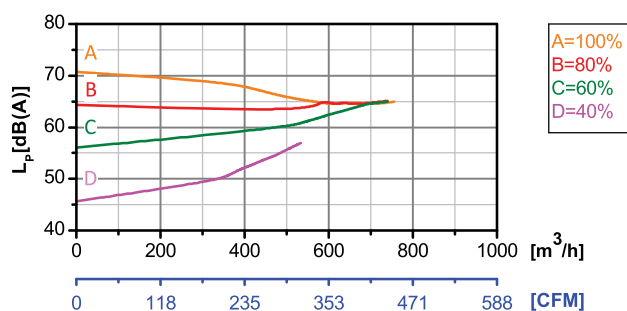
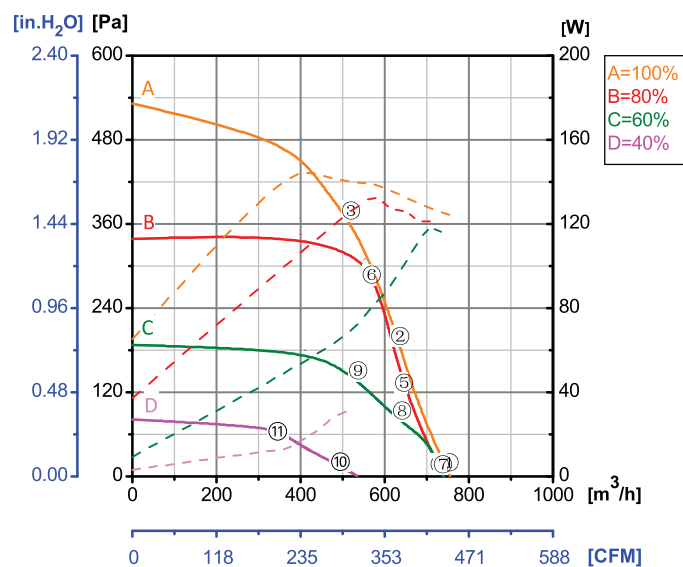
Erp2015  
EXCEEDS THE NORM



Φ 180

- Rotor Material: Carbon steel
- Housing Material: Carbon steel
- Impeller Material: Galvanized steel sheet
- Ingress Protection: IP42
- Insulation Class: F
- Bearing Type: Maintenance free ball bearing

Performance Curves

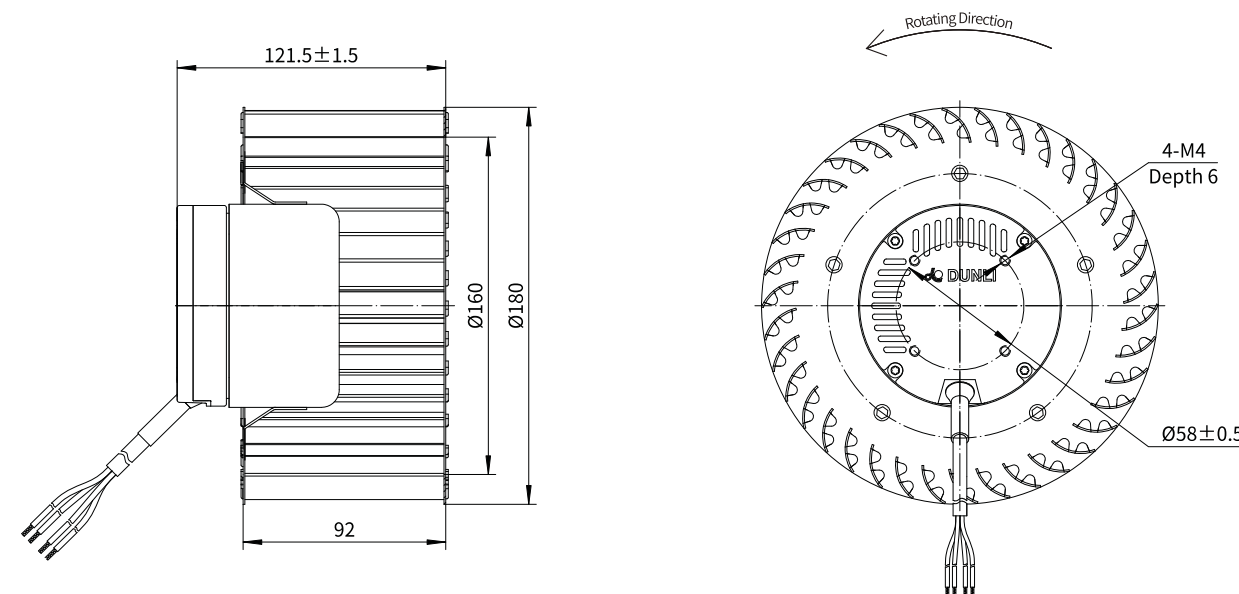


Test Point	Speed	Input Power
	rpm	W
1	1389	124
2	1709	130
3	2030	139
4	1356	116
5	1592	126
6	1842	133
7	1357	116
8	1463	99
9	1463	73
10	994	31
11	992	16
12	/	/

Erp2015 Data:  
 Efficiency  $\eta_{statA}$  = 42.9%  
 Efficiency grade  $N_{actual}$  = 54.6,  $N_{target}$  = 44  
 Test report No. : L-20210302 -003-039

Model No.	Voltage	Frequency	Speed	Input Power	Current	Working Temp.	Approvals
	VAC	Hz	RPM	W	A	Min/Max (°C)	
DC92-F180-A10	24	/	1400	130	5.40	-20/+60	CE
DC92-F180-C10	48	/	1400	130	2.70	-20/+60	CCC,CE
DC92-F180-002	310	/	1400	130	0.42	-20/+60	CCC,CE

Motorized Forward Curved Impeller



Blower

